

Service  
Service  
**Service**



# Service Manual

**TABLE OF CONTENTS**

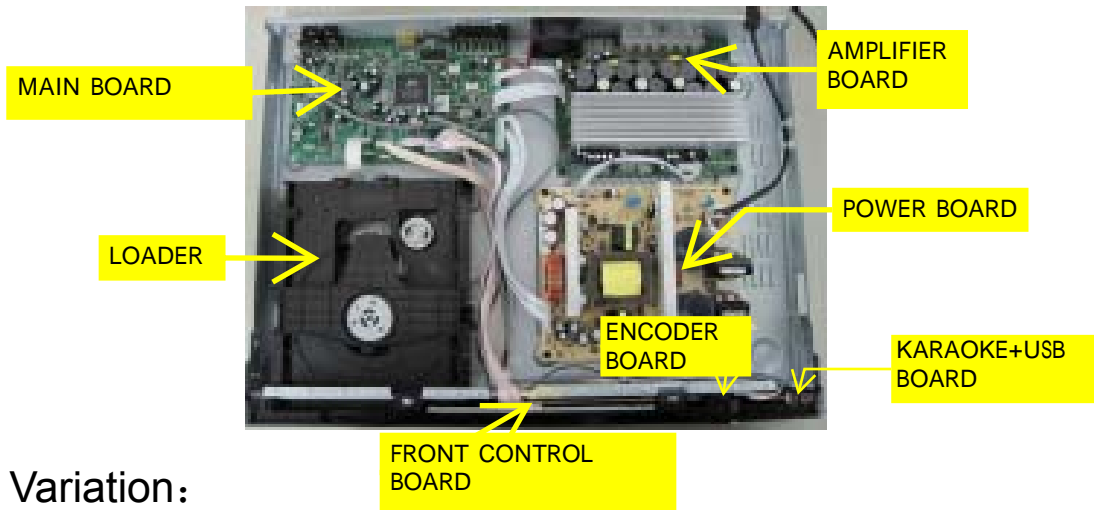
Page

- . Location of PCB BdsyVersion Variation and Repair Scenario Matrix.....1-2
- . Technical Specifications.....1-3
- . Safety Instruction, Warning & Notes.....1-4
- . DFU Instruction.....2-1
- . Mechanical and Dismantling Instructions.....3-1
- . Software Upgrades .....4-1
- . Trouble Shooting Chart.....5-1
- . Wiring Diagram.....6-1
- . Electrical Diagrams and Print-layouts.....7-1
- . Set Mechanical Exploded view & Part list.....8-1
- . Revision List.....9-1

©Copyright 2011 Philips Consumer Electronics B.V. Eindhoven, The Netherlands  
 All rights reserved. No part of this publication may be reproduced, stored in aretrieval system or transmitted, in any form or by any means, electronic, mechanical, photocopying, or otherwise without the prior permission of Philips.



LOCATION OF PCB BOARDS:



Version Variation:

Type/Versions Features	HTS5520			
	/12	/51	/93	/94
Output Power-800W	X	X	X	X
Voltage(220~240v)	X	X	X	X

Repair Scenario Matrix:

Type/Versions Board in used	HTS5520			
	/12	/51	/93	/94
Main Board	C	C	C	C
Front Control Board	C	C	C	C
Amplifier Board	C	C	C	C
Power Board	C	C	C	C
Karaoke+USB Board	C	C	C	C
Encoder Board	C	C	C	C

\*Bd:Board Level Replacement

\*C:Component Level Repair

HTS5520/12:

# Product specifications



## Note

- Specification and design are subject to change without notice.

## Region code

Country	DVD
Europe, United Kingdom	
Asia Pacific, Taiwan, Korea	
Latin America	
Australia, New Zealand	
Russia, India	
China	

## Playback media

DVD-Video, DVD+R/+RW, DVD-R/-RW, DVD+R DL, CD-R/CD-RW, Audio CD, Video CD/SVCD, Picture CD, MP3-CD, WMA-CD, DivX-CD, USB storage device

## File Format

- Audio: .mp3, .wma
- Video: .divx, .divx ultra, .mpeg, .mpg, .wmv (simple profile)
- Picture: .jpeg, .jpg

## Amplifier

- Total output power:
  - HTS5520: 800 W RMS (30% THD)
  - HTS5530: 1000 W RMS (30% THD)
- Frequency response: 20 Hz-20 kHz /  $\pm 3$ dB

- Signal-to-noise ratio: > 65 dB (CCIR) / (A-weighted)
- Input sensitivity:
  - AUX: 500 mV
  - MP3 LINK: 500 mV

## Video

- Signal system: PAL / NTSC
- HDMI output: 480i/576i, 480p/576p, 720p, 1080i, 1080p

## Audio

- S/PDIF Digital audio input:
  - Coaxial: IEC 60958-3
- Sampling frequency:
  - MP3: 32 kHz, 44.1 kHz, 48 kHz
  - WMA: 44.1 kHz, 48 kHz
- Constant bit rate:
  - MP3: 112 kbps - 320 kbps
  - WMA: 48 kbps - 192 kbps

## Radio

- Tuning range: FM 87.5-108 MHz (50 kHz)
- Signal-to-noise ratio: FM 50 dB
- Frequency response: FM 180 Hz-10 kHz /  $\pm 6$ dB

## USB

- Compatibility: Hi-Speed USB (2.0)
- Class support: UMS (USB Mass Storage Class)
- File system: FAT12, FAT16, FAT32
- Maximum memory support: < 160GB.

## Main Unit

- Power supply: 220-240V;  $\sim 50$  Hz
- Power consumption: 150 W
- Standby power consumption: < 0.9 W
- Dimensions (WxHxD): 435 x 58 x 358 (mm)
- Weight: 3.56 kg

## Subwoofer

- Impedance: 8 ohm
- Speaker drivers: 165 mm (6.5") woofer
- Frequency response: 40 Hz-150 kHz
- Dimensions (WxHxD):
  - HTS5520: 120 x 307 x 369 (mm)
  - HTS5530: 196 x 395 x 342 (mm)
- Weight:
  - HTS5520: 3.84 kg
  - HTS5530: 6.3 kg
- Cable length:

- HTS5520: 4.3 m
- HTS5530: 4 m

**Speakers**

- System: full range satellite
- Speaker impedance: 3 ohm (center), 4 ohm (Front/Rear)
- Speaker drivers: 2 x 3" full range
- Frequency response: 150 Hz-20 kHz
- Dimensions (WxHxD):
  - Center: 280 x 95 x 92 (mm)
  - Front/Rear: 100 x 279 x 103 (mm)
- Weight:
  - Center: 0.68 kg
  - Front/Rear: 0.66 kg/each
- Cable length:
  - Center: 2 m
  - Front: 4 m
  - Rear: 10 m

**Laser specification**

- Type: Semiconductor laser GaAlAs (CD)
- Wave length: 645 - 665 nm (DVD), 770 - 800 nm (CD)
- Output power: 6 mW (DVD), 7 mW (VCD/CD)
- Beam divergence: 60 degrees.

HTS5520/51:

## Product Specifications

### Note

- Specification and design are subject to change without notice.

### Region code

For information about which region this home theater supports, see the type plate on the back or bottom.

Country	DVD
Europe, United Kingdom	
Asia Pacific, Taiwan, Korea	
Latin America	
Australia, New Zealand	
Russia, India	
China	

### Playback media

DVD-Video, DVD+R/+RW, DVD-R/-RW, DVD+R DL, CD-R/CD-RW, Audio CD, Video CD/SVCD, Picture CD, MP3-CD, WMA-CD, DivX-CD, USB storage device

### File Format

- Audio: .mp3, .wma
- Video: .divx, .divx ultra, .mpeg, .mpg, .wmv (simple profile)
- Picture: .jpeg, .jpg

**Amplifier**

- Total output power:
  - HTS5520: 800 W RMS (30% THD)
  - HTS5530: 1000 W RMS (30% THD)
- Frequency response: 20 Hz-20 kHz /  $\pm 3$ dB
- Signal-to-noise ratio: > 65 dB (CCIR) / (A-weighted)
- Input sensitivity:
  - AUX: 2 V
  - MP3 LINK: 1 V

**Video**

- Signal system: PAL / NTSC
- HDMI output: 480i/576i, 480p/576p, 720p, 1080i, 1080p

**Audio**

- S/PDIF Digital audio input:
  - Coaxial: IEC 60958-3
- Sampling frequency:
  - MP3: 32 kHz, 44.1 kHz, 48 kHz
  - WMA: 44.1 kHz, 48 kHz
- Constant bit rate:
  - MP3: 112 kbps - 320 kbps
  - WMA: 48 kbps - 192 kbps

**Radio**

- Tuning range: FM 87.5-108 MHz (50/100 kHz)
- Signal-to-noise ratio: FM 50 dB
- Frequency response: FM 180 Hz  $\sim$  10 kHz /  $\pm 6$ dB

**USB**

- Compatibility: Hi-Speed USB (2.0)
- Class support: UMS (USB Mass Storage Class)
- File system: FAT16, FAT32
- Maximum memory support: < 160GB

**Main Unit**

- Power supply:
  - Latin America/Asia Pacific: 110-127V/220-240V;  $\sim$ 50-60Hz switchable
  - Russia/China/India: 220-240V,  $\sim$ 50Hz
- Power consumption: 150 W
- Standby power consumption: < 0.9 W
- Dimensions (WxHxD): 435 x 58 x 358 (mm)
- Weight: 3.56 kg

**Subwoofer**

- Impedance: 4 ohm
- Speaker drivers: 165 mm (6.5") woofer
- Frequency response: 50 Hz-1.5 kHz
- Dimensions (WxHxD):
  - HTS5520: 122.6 x 307 x 369 (mm)
  - HTS5530: 196 x 392 x 342.2 (mm)
- Weight:
  - HTS5520: 3.76 kg
  - HTS5530: 6.3 kg
- Cable length: 4.3 m

**Speakers**

- System: full range satellite
- Speaker impedance: 4 ohm (center), 8 ohm (Front/Rear)
- Speaker drivers: 2 x 3" full range
- Frequency response: 150 Hz-20 kHz
- Dimensions (WxHxD):
  - Center: 280 x 95 x 92 (mm)
  - Front/Rear: 100 x 279.3 x 103 (mm)
- Weight:
  - Center: 1.4 kg
  - Front/Rear: 1 kg/each
- Cable length:
  - Center: 2 m
  - Front: 4 m
  - Rear: 10 m

**Laser specification**

- Type: Semiconductor laser GaAlAs (CD)
- Wave length: 645 - 665 nm (DVD), 770 - 800 nm (CD)
- Output power: 6 mW (DVD), 7 mW (VCD/CD)
- Beam divergence: 60 degrees.

HTS5520/93:

# Product specifications

## Note

- Specification and design are subject to change without notice.

## Region code

For information about which region this home theater supports, see the type plate on the back or bottom.

Country	DVD
Europe, United Kingdom	
Asia Pacific, Taiwan, Korea	
Latin America	
Australia, New Zealand	
Russia, India	
China	

## Playback media

DVD-Video, DVD+R/+RW, DVD-R/-RW, DVD+R DL, CD-R/CD-RW, Audio CD, Video CD/SVCD, Picture CD, MP3-CD, WMA-CD, DivX-CD, USB storage device

## File Format

- Audio: .mp3, .wma
- Video: .divx, .divx ultra, .mpeg, .mpg, .wmv (simple profile)
- Picture: .jpeg, .jpg

## Amplifier

- Total output power:
  - HTS5520: 800 W RMS (30% THD)
  - HTS5530: 1000 W RMS (30% THD)
- Frequency response: 20 Hz-20 kHz /  $\pm 3$ dB
- Signal-to-noise ratio: > 65 dB (CCIR) / (A-weighted)
- Input sensitivity:
  - AUX: 2 V
  - MP3 LINK: 1 V

## Video

- Signal system: PAL / NTSC
- HDMI output: 480i/576i, 480p/576p, 720p, 1080i, 1080p

## Audio

- S/PDIF Digital audio input:
  - Coaxial: IEC 60958-3
- Sampling frequency:
  - MP3: 32 kHz, 44.1 kHz, 48 kHz
  - WMA: 44.1 kHz, 48 kHz
- Constant bit rate:
  - MP3: 112 kbps - 320 kbps
  - WMA: 48 kbps - 192 kbps

## Radio

- Tuning range: FM 87.5-108 MHz (50/100 kHz)
- Signal-to-noise ratio: FM 50 dB
- Frequency response: FM 180 Hz ~ 10 kHz /  $\pm 6$ dB

## USB

- Compatibility: Hi-Speed USB (2.0)
- Class support: UMS (USB Mass Storage Class)
- File system: FAT16, FAT32
- Maximum memory support: < 160GB.

## Main Unit

- Power supply:
  - Latin America/Asia Pacific: 110-127V/220-240V; ~50-60Hz switchable
  - Russia/China/India: 220-240V, ~50Hz
- Power consumption: 150 W
- Standby power consumption: < 0.9 W
- Dimensions (WxHxD): 435 x 58 x 358 (mm)
- Weight: 3.56 kg

**Subwoofer**

- Impedance: 4 ohm
- Speaker drivers: 165 mm (6.5") woofer
- Frequency response: 50 Hz-1.5 kHz
- Dimensions (WxHxD):
  - HTS5520: 122.6 × 307 × 369 (mm)
  - HTS5530: 196 × 392 × 342.2 (mm)
- Weight:
  - HTS5520: 3.76 kg
  - HTS5530: 6.3 kg

Cable length: 4.3 m

**Speakers**

- System: full range satellite
- Speaker impedance: 4 ohm (center), 8 ohm (Front/Rear)
- Speaker drivers: 2 × 3" full range
- Frequency response: 150 Hz-20 kHz
- Dimensions (WxHxD):
  - Center: 280 × 95 × 92 (mm)
  - Front/Rear: 100 × 279.3 × 103 (mm)
- Weight:
  - Center: 1.4 kg
  - Front/Rear: 1 kg/each
- Cable length:
  - Center: 2 m
  - Front: 4 m
  - Rear: 10 m

**Laser specification**

- Type: Semiconductor laser GaAlAs (CD)
- Wave length: 645 - 665 nm (DVD), 770 - 800 nm (CD)
- Output power: 6 mW (DVD), 7 mW (VCD/CD)
- Beam divergence: 60 degrees.



HTS5520/94

# Product specifications

## Note

- Specification and design are subject to change without notice.

## Region code

The type plate on the back or bottom of the home theater shows which regions it supports

Country	DVD
Europe, United Kingdom	
Asia Pacific, Taiwan, Korea	
Latin America	
Australia, New Zealand	
Russia, India	
China	

## Playback media

DVD-Video, DVD+R/+RW, DVD-R/-RW, DVD+R DL, CD-R/CD-RW, Audio CD, Video CD/SVCD, Picture CD, MP3-CD, WMA-CD, DivX-CD, USB storage device

## File Format

- Audio: .mp3, .wma
- Video: .divx, .divx ultra, .mpeg, .mpg, .wmv (simple profile)
- Picture: .jpeg, .jpg

## Amplifier

- Total output power:
  - HTS5520: 800 W RMS (30% THD)
  - HTS5530: 1000 W RMS (30% THD)
- Frequency response: 20 Hz-20 kHz

- Signal-to-noise ratio: > 65 dB (CCIR) / (A-weighted)
- Input sensitivity:
  - AUX: 2 V
  - MP3 LINK: 1 V

## Video

- Signal system: PAL / NTSC
- HDMI output: 480i/576i, 480p/576p, 720p, 1080i, 1080p

## Audio

- S/PDIF Digital audio input:
  - Coaxial: IEC 60958-3
- Sampling frequency:
  - MP3: 32 kHz, 44.1 kHz, 48 kHz
  - WMA: 44.1 kHz, 48 kHz
- Constant bit rate:
  - MP3: 112 kbps - 320 kbps
  - WMA: 64 kbps - 192 kbps

## Radio

- Tuning range: FM 87.5-108 MHz (50/100 kHz)
- Signal-to-noise ratio: FM 50 dB
- Frequency response: FM 180 Hz ~ 10 kHz

## USB

- Compatibility: Hi-Speed USB (2.0)
- Class support: UMS (USB Mass Storage Class)
- File system: FAT16, FAT32
- Maximum memory support: < 160GB

## Main Unit

- Power supply:
  - Latin America/Asia Pacific: 110-127V/220-240V; ~50-60Hz switchable
  - Russia/China/India: 220-240V, ~50Hz
- Power consumption:
  - HTS5520: 150 W
  - HTS5530: 200 W
- Standby power consumption: ≤ 0.9 W
- Dimensions (WxHxD): 435 x 50 x 340 (mm)
- Weight: 3.56 kg

**Subwoofer**

- Impedance: 4 ohm
- Speaker drivers: 203 mm (8") woofer
- Frequency response: 20 Hz-150 Hz
- Dimensions (WxHxD): 196 x 392 x 342.2 (mm)
- Weight: 6.3 kg
- Cable length: 3 m

**Speakers**

- System: full range satellite
- Speaker impedance: 4 ohm (center), 8 ohm (Front/Rear)
- Speaker drivers: 2 x 3" full range
- Frequency response: 150 Hz-20 kHz
- Dimensions (WxHxD):
  - Center: 280 x 95 x 92 (mm)
  - Front/Rear: 100 x 280 x 115 (mm)
- Weight:
  - Center: 1.4 kg
  - Front/Rear: 1 kg/each
- Cable length:
  - Center: 2 m
  - Front: 3 m
  - Rear: 10 m

**Laser specification**

- Type: Semiconductor laser GaAlAs (CD)
- Wave length: 645 - 665 nm (DVD), 770 - 800 nm (CD)
- Output power: 6 mW (DVD), 7 mW (VCD/CD)
- Beam divergence: 60 degrees.

## Safety instruction, Warning & Notes

### Safety instruction

---

#### 1. General safety

Safety regulations require that during a repair:

- . Connect the unit to the mains via an isolation transformer.
- . Replace safety components indicated by the symbol ▲, only by components identical to the original ones. Any other component substitution (other than original type) may increase risk of fire or electrical shock hazard.

Safety regulations require that after a repair, you must return the unit in its original condition. Pay, in particular, attention to the following points:

- . Route the wires/cables correctly, and fix them with the mounted cable clamps.
- . Check the insulation of the mains lead for external damage.
- . Check the electrical DC resistance between the mains plug and the secondary side:
  - 1) Unplug the mains cord, and connect a wire between the two pins of the mains plug.
  - 2) Set the mains switch the "on" position (keep the mains cord unplug).
  - 3) Measure the resistance value between the mains plug and the front panel, controls, and chassis bottom.
  - 4) Repair or correct unit when the resistance measurement is less than 1M $\Omega$ .
  - 5) Verify this, before you return the unit to the customer/user (ref. UL-standard no. 1492).
  - 6) Switch the unit "off", and remove the wire between the two pins of the mains plug.

#### 2.Laser safety

This unit employs a laser. Only qualified service personnel may remove the cover, or attempt to service this device (due to possible eye injury).

Laser device unit

Type	: Semiconductor laser GaAlAs
Wavelength	: 650nm (DVD)
	: 780nm (VCD/CD)
Output power	: 7mW (DVD)
	: 10mW (DVD /CD)

Beam divergence: 60 degree

Note: Use of controls or adjustments or performance of procedure other than those specified herein, may result in hazardous radiation exposure. Avoid direct exposure to beam.

## Warning

---

### 1. General

. All ICs and many other semiconductors are susceptible to electrostatic discharges (ESD). Careless handling during repair can reduce life drastically. Make sure that, during repair, you are at the same potential as the mass of the set by a wristband with resistance. Keep components and tools at this same potential. Available ESD protection equipment:

- 1) Complete kit ESD3 (small tablemat, wristband, connection box, extension cable and earth cable) 4822 310 10671.
- 2) Wristband tester 4822 344 13999.

. Be careful during measurements in the live voltage section. The primary side of the power supply, including the heat sink, carries live mains voltage when you connect the player to the mains (even when the player is "off!"). It is possible to touch copper tracks and/or components in this unshielded primary area, when you service the player. Service personnel must take precautions to prevent touching this area or components in this area. A "lighting stroke" and a stripe-marked printing on the printed wiring board, indicate the primary side of the power supply.

. Never replace modules, or components, while the unit is "on".

### 2. Laser

- . The use of optical instruments with this product, will increase eye hazard.
- . Only qualified service personnel may remove the cover or attempt to service this device, due to possible eye injury.
- . Repair handling should take place as much as possible with a disc loaded inside the player.
- . Text below is placed inside the unit, on the laser cover shield:

**CAUTION: VISIBLE AND INVISIBLE LASER RADIATION WHEN OPEN, AVOID EXPOSURE TO BEAM.**

Notes: Manufactured under licence from Dolby Laboratories. The double-D symbol is trademarks of Dolby Laboratories, Inc. All rights reserved.

## Service Hints

### CAUTION

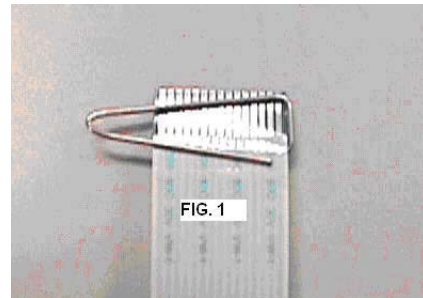
**CHARGED CAPACITORS ON THE SERVO BOARD MAY DAMAGE THE DRIVE ELECTRONICS WHEN CONNECTING A NEW DRIVE. THAT'S WHY, BESIDES THE SAFETY MEASURES LIKE**

- SWITCH OFF POWER SUPPLY
- ESD PROTECTION

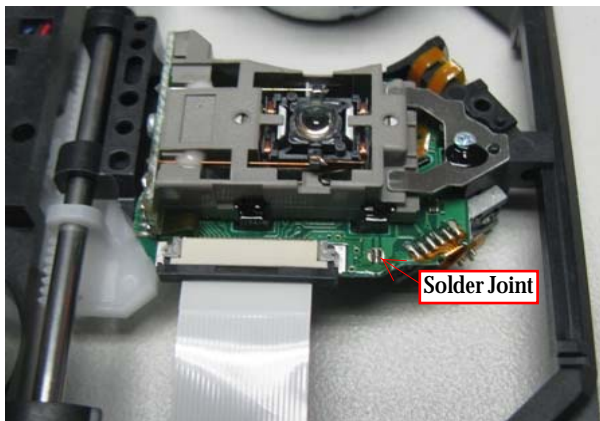
**ADDITIONAL ACTIONS MUST BE TAKEN BY THE REPAIR TECHNICIAN.**

### The following steps have to be done when replacing the defective loader :

1. Dismantling of the loader to access the ESD protection point if necessary.
2. **Solder the ESD protection point\***.
3. Disconnect flexfoil cable from the defective loader.
4. Put a paper clip on the flexfoil to short-circuit the contacts (fig.1)
5. Replace the defective loader with a new loader.
6. Remove paperclip from the flexfoil and connect it to the new loader.
7. Remove solder joint on the ESD protection point.



ATTENTION: The laser diode of this loader is protected against ESD by a solder joint which shortcircuits the laserdiode to ground. For proper functionality of the loader this solder joint must be remove **after** connection loader to the set.



(ESD protection point is accessible from top of loader)

***\*Only applicable for defective loader needed to be sent back to supplier for failure analysis and to support backcharging evidence.***


***This is also applicable for all partnership workshops.***

## Notes

### Lead-Free requirement for service

---

#### IDENTIFICATION:

Regardless of special logo (not always indicated) 

One must treat all sets from 1.1.2005 onwards, according next rules.

*Important note: In fact also products a little older can also be treated in this way as long as you avoid mixing solder-alloys (leaded/ lead-free). So best to always use SAC305 and the higher temperatures belong to this.*

Due to lead-free technology some rules have to be respected by the workshop during a repair:

- Use only lead-free solder alloy Philips SAC305 with order code 0622 149 00106. If lead-free solder-paste is required, please contact the manufacturer of your solder-equipment. In general use of solder-paste within workshops should be avoided because paste is not easy to store and to handle.
- Use only adequate solder tools applicable for lead-free solder alloy. The solder tool must be able
  - To reach at least a solder-temperature of 400°C,
  - To stabilize the adjusted temperature at the solder-tip
  - To exchange solder-tips for different applications.
- Adjust your solder tool so that a temperature around 360°C – 380°C is reached and stabilized at the solder joint. Heating-time of the solder-joint should not exceed ~ 4 sec. Avoid temperatures above 400°C otherwise wear-out of tips will rise drastically and flux-fluid will be destroyed. To avoid wear-out of tips switch off un-used equipment, or reduce heat.
- Mix of lead-free solder alloy / parts with leaded solder alloy / parts is possible but PHILIPS recommends strongly to avoid mixed solder alloy types (leaded and lead-free). If one cannot avoid, clean carefully the solder-joint from old solder alloy and re-solder with new solder alloy (SAC305).

- Use only original spare-parts listed in the Service-Manuals. Not listed standard-material (commodities) has to be purchased at external companies.
- Special information for BGA-ICs:
  - always use the 12nc-recognizable soldering temperature profile of the specific BGA (for de-soldering always use highest lead-free temperature profile, in case of doubt)
  - lead free BGA-ICs will be delivered in so-called 'dry-packaging' (sealed pack including a silica gel pack) to protect the IC against moisture. After opening, dependent of MSL-level seen on indicator-label in the bag, the BGA-IC possibly still has to be baked dry. This will be communicated via AYS-website.
- Do not re-use BGAs at all.
- For sets produced before 1.1.2005, containing leaded soldering-tin and components, all needed spare-parts will be available till the end of the service-period. For repair of such sets nothing changes.
- On our website:

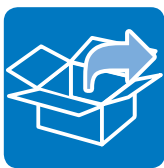
**[www.atyourservice.ce.Philips.com](http://www.atyourservice.ce.Philips.com)**

You find more information to:

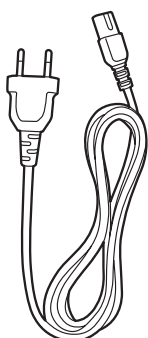
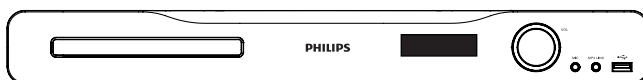
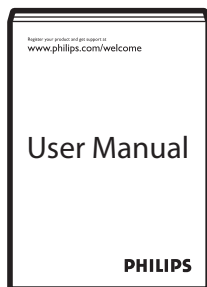
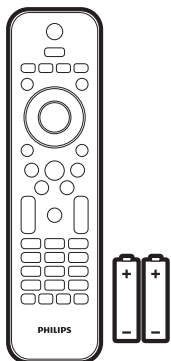
BGA-de-/soldering (+ baking instructions)  
 Heating-profiles of BGAs and other ICs used in Philips-sets

You will find this and more technical information within the "magazine", chapter "workshop news".  
 For additional questions please contact your local repair-helpdesk.

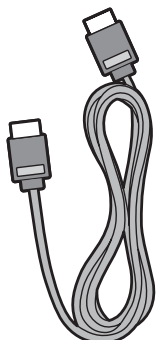
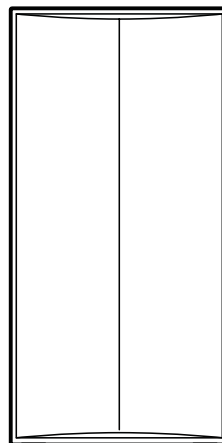
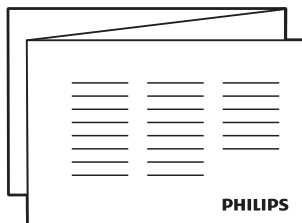
QSG for HTS5520/12/51/93/94



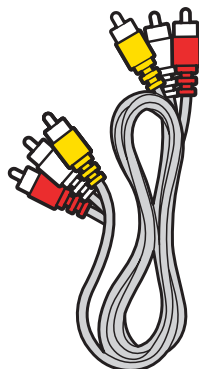
The following excerpt of the Quick Start Guide serves as an introduction to the set. The complete Direction For Use can be download in different languages from Philips Customer Contact & Support site: [www.p4c.philips.com](http://www.p4c.philips.com)



Power cord  
(fixed for /12/55)



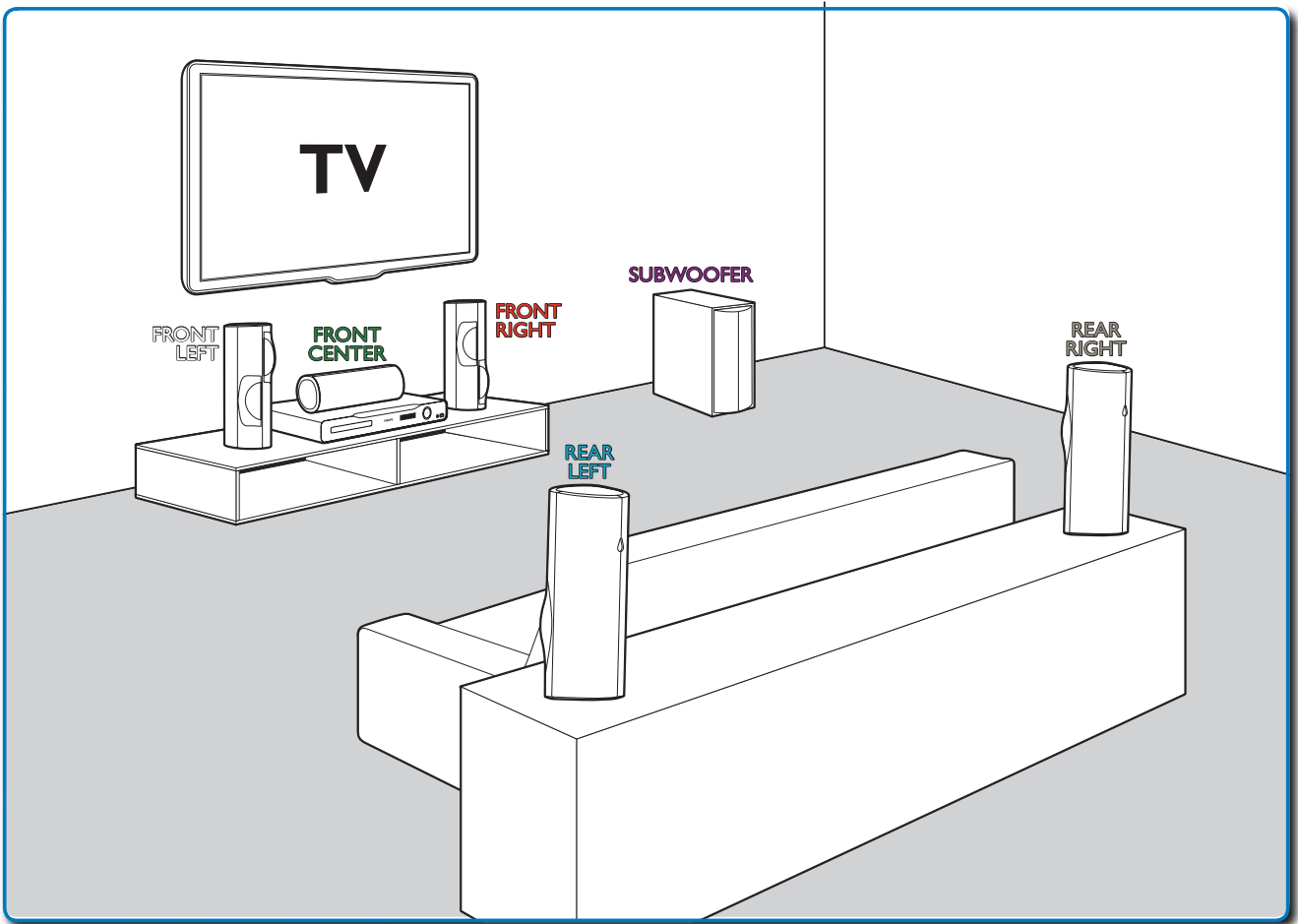
HDMI for /12 FM Antenna



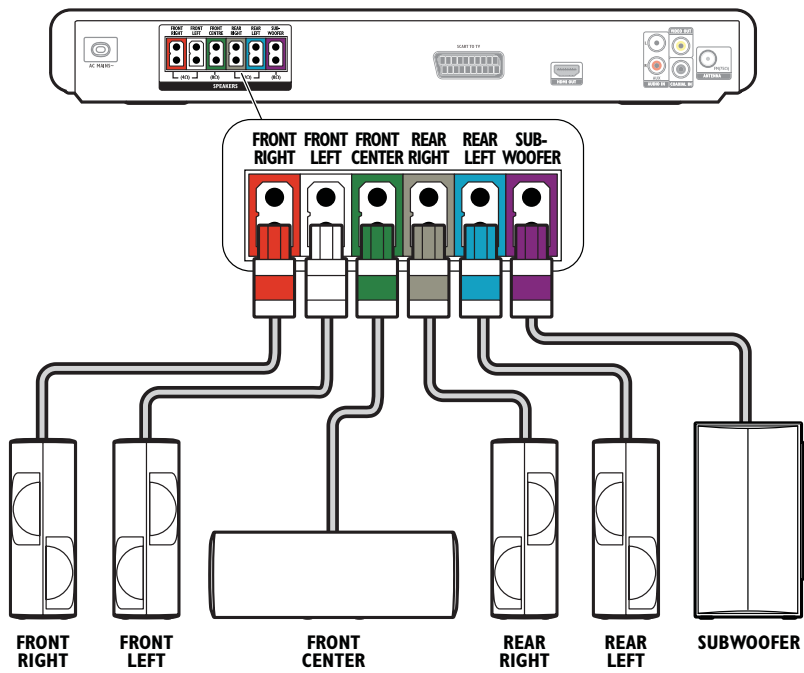
Audio/Video



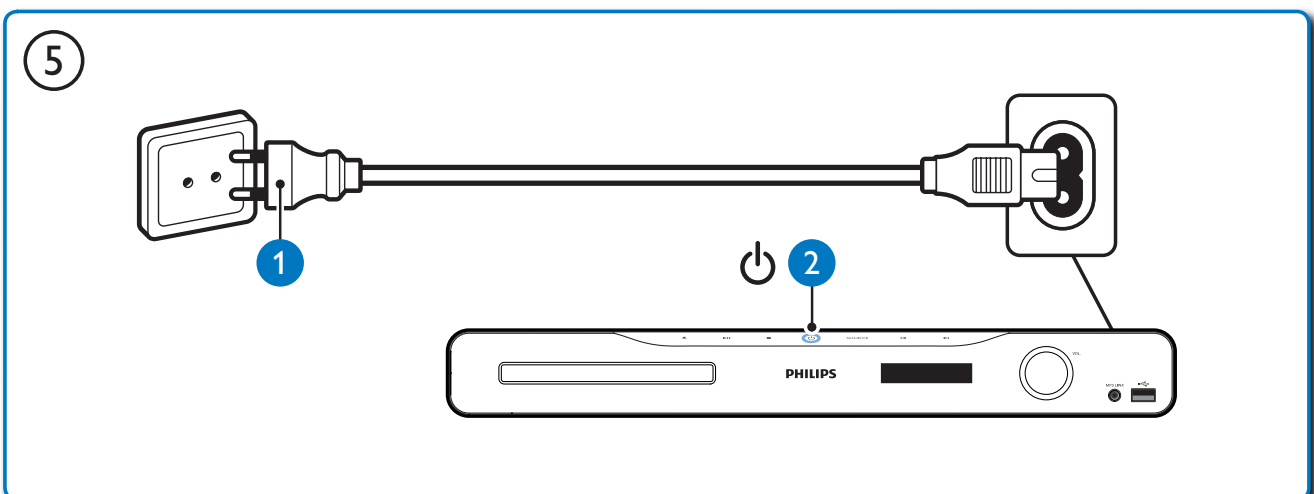
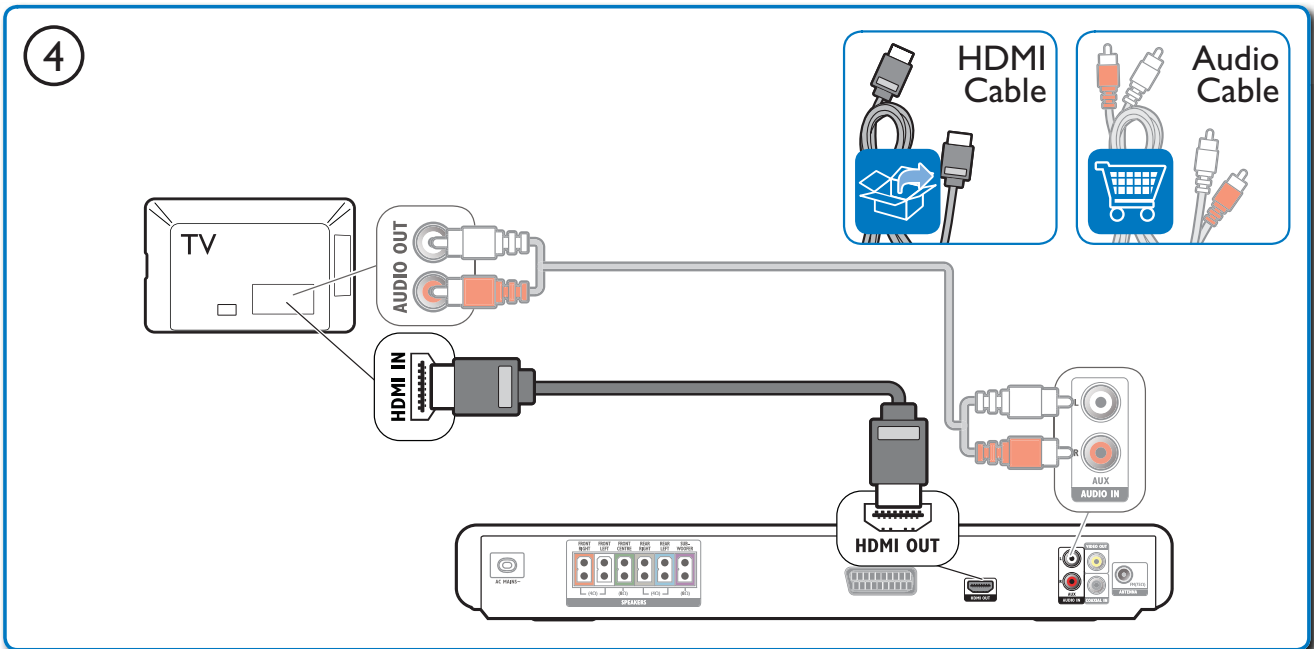
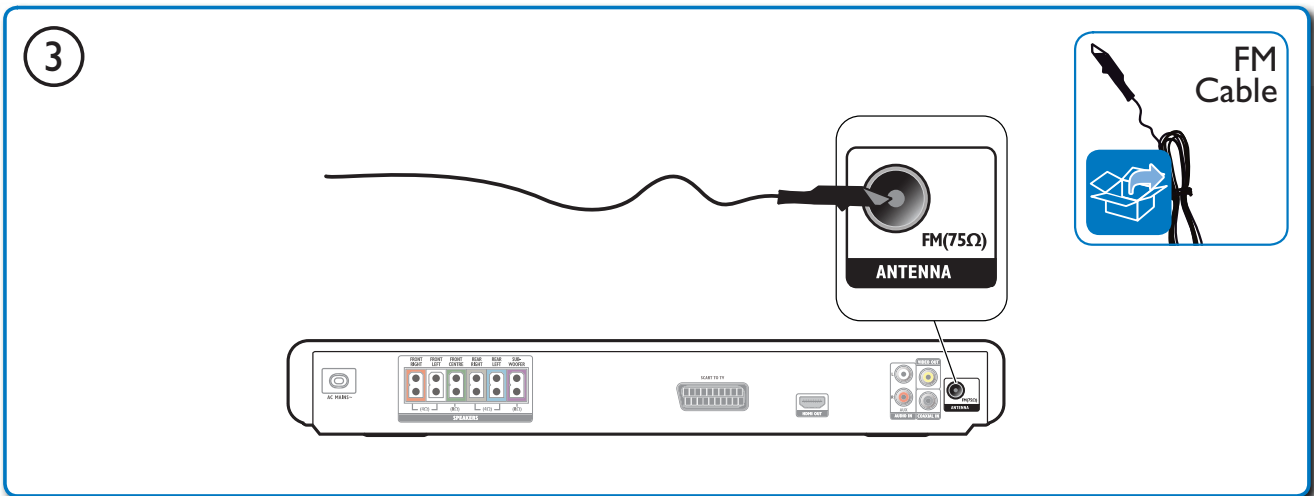
1

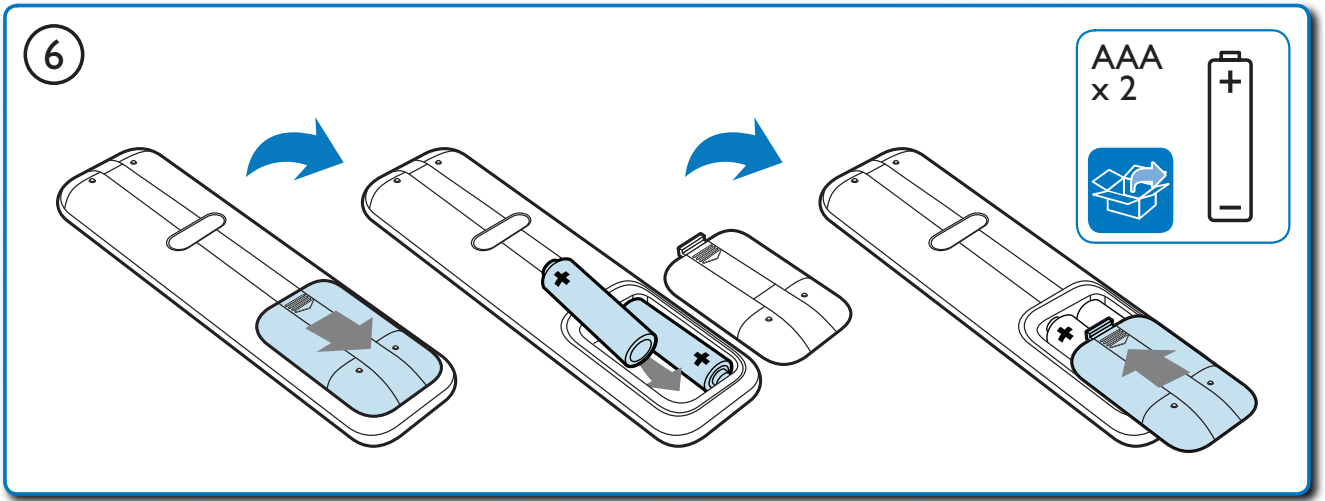


2

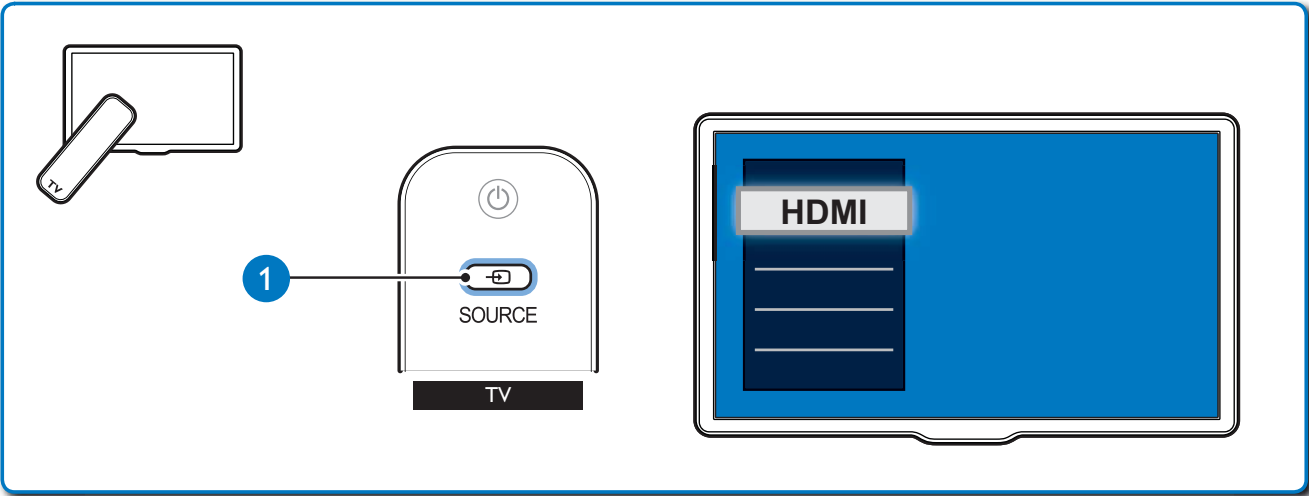








# 2

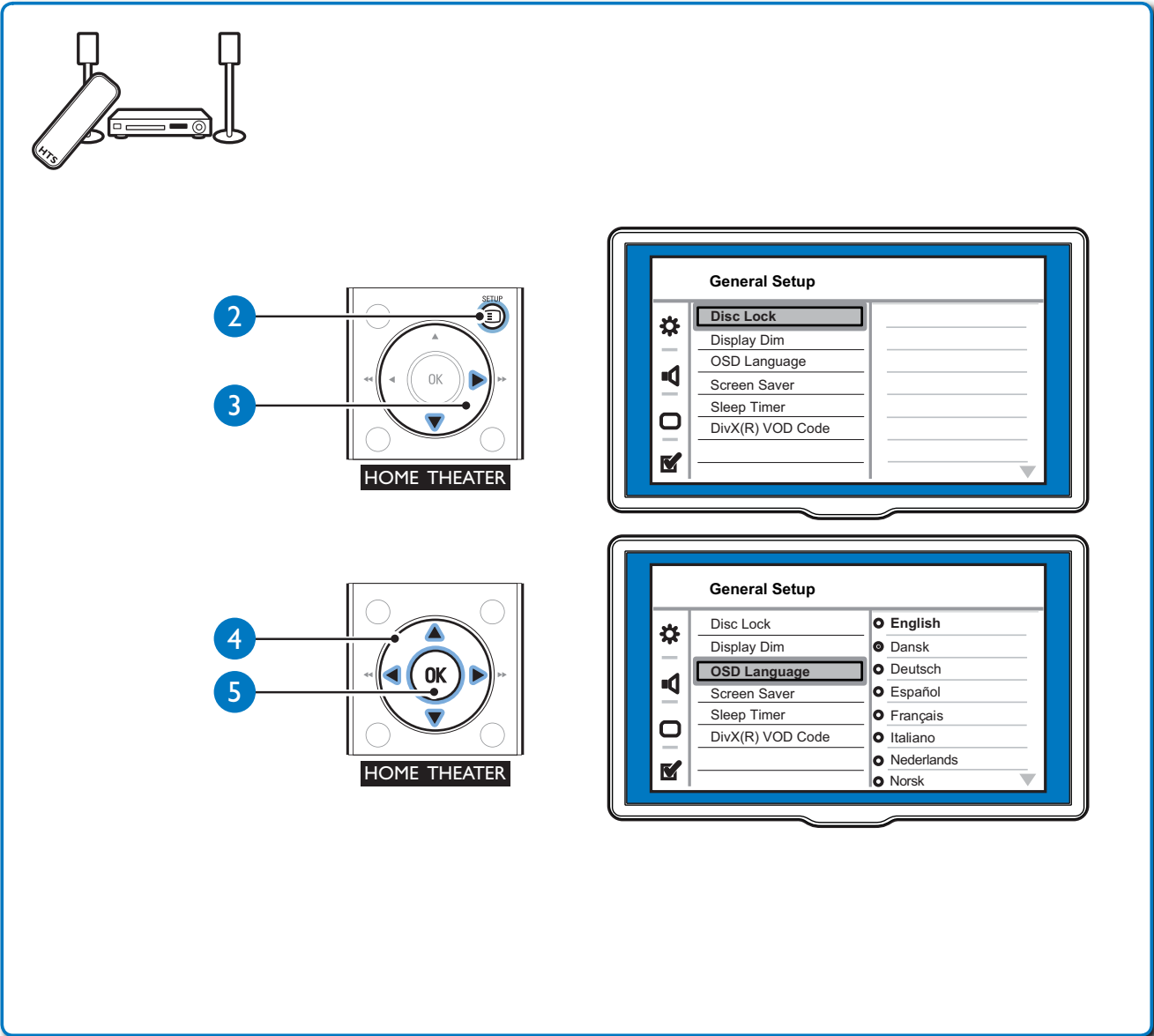


1

SOURCE

TV

HDMI



2

3

HOME THEATER

4

5

HOME THEATER

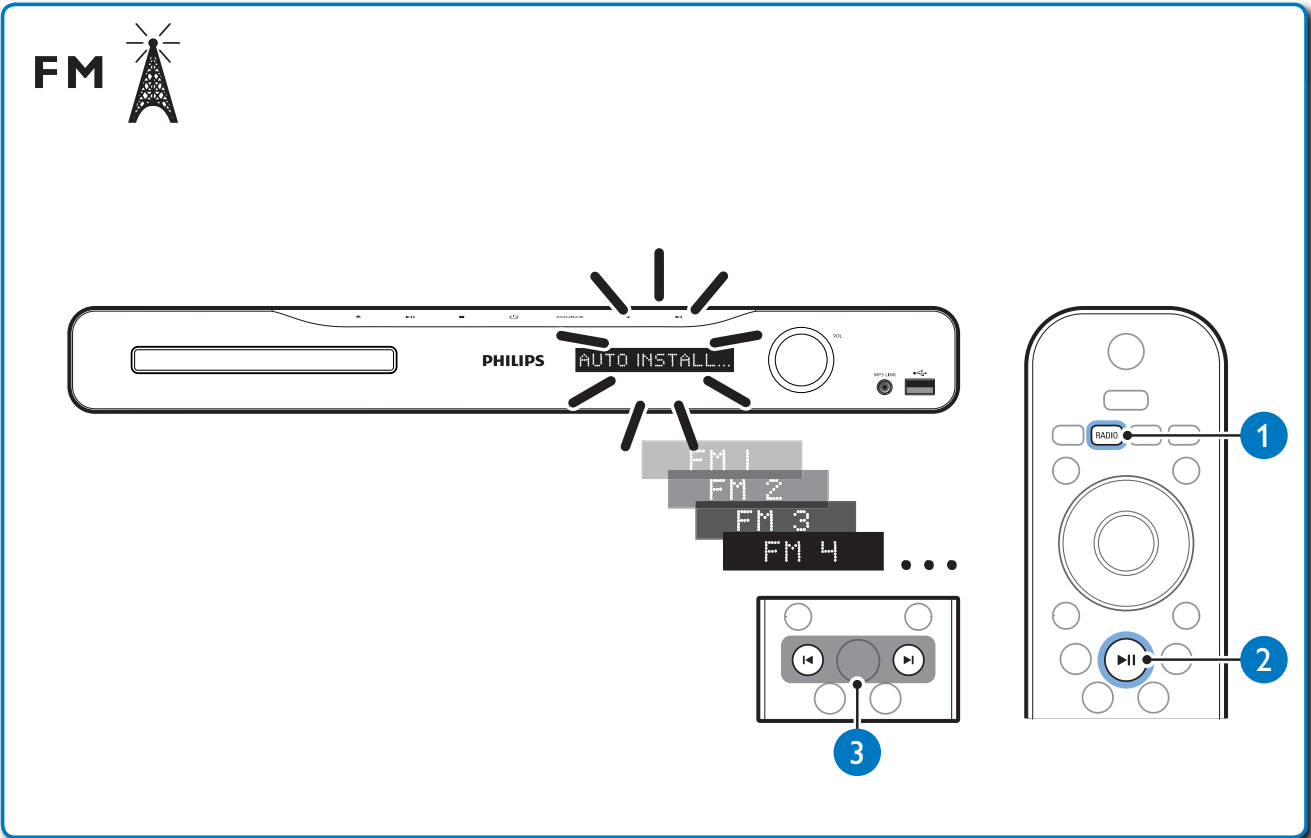
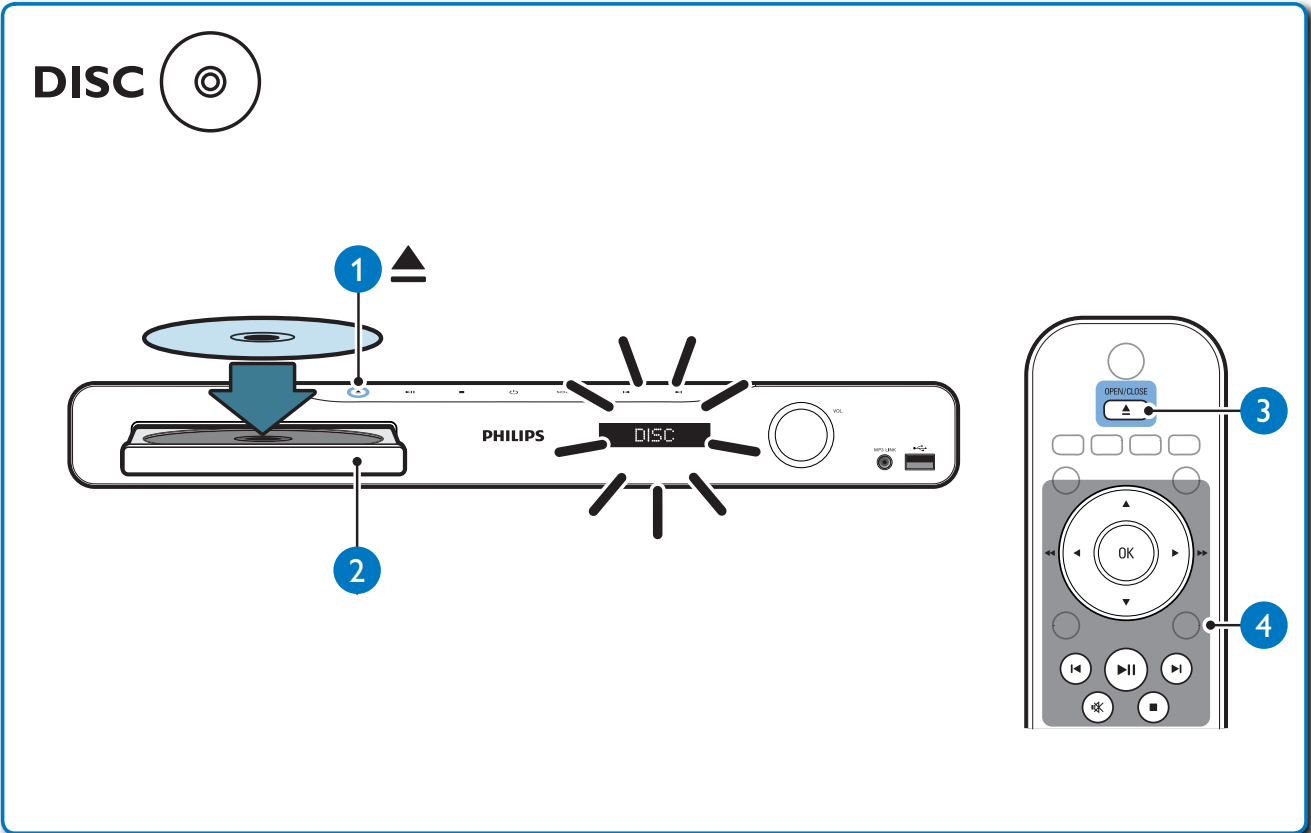
**General Setup**

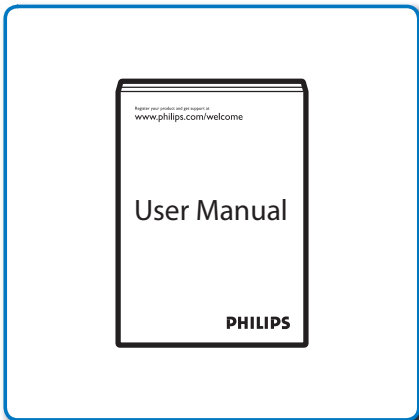
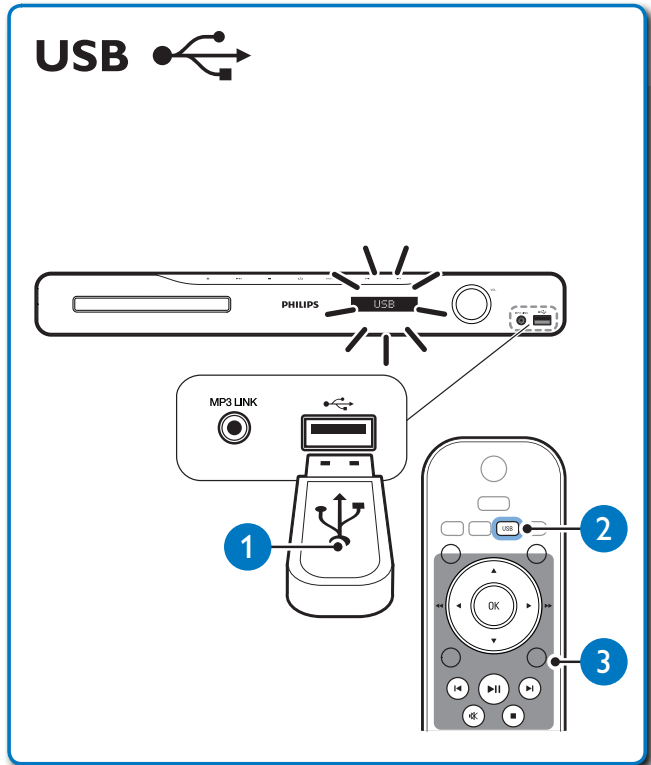
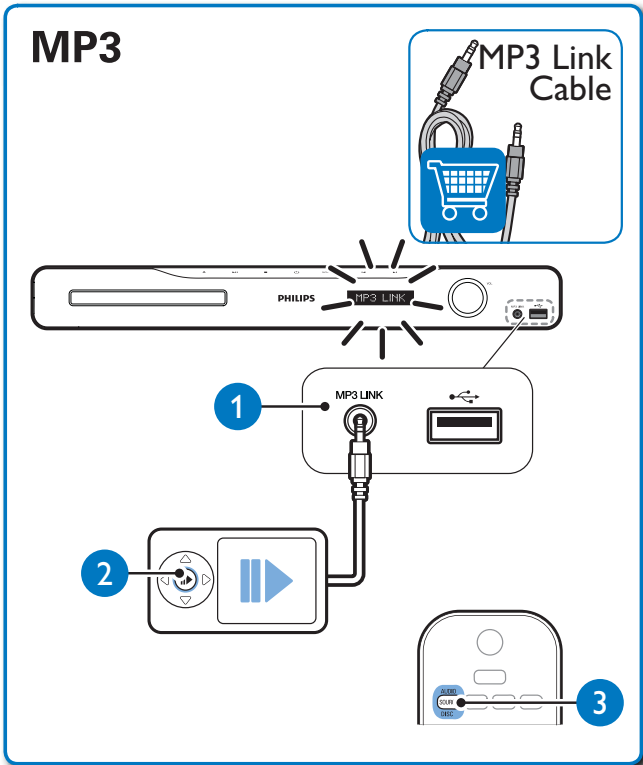
- Disc Lock
- Display Dim
- OSD Language
- Screen Saver
- Sleep Timer
- DivX(R) VOD Code

**General Setup**

- Disc Lock
- Display Dim
- OSD Language
  - English
  - Dansk
  - Deutsch
  - Español
  - Français
  - Italiano
  - Nederlands
  - Norsk
- Screen Saver
- Sleep Timer
- DivX(R) VOD Code

# 3





Specifications are subject to change without notice  
Trademarks are the property of Koninklijke Philips Electronics N.V.  
or their respective owners  
2010 © Koninklijke Philips Electronics N.V. All rights reserved.  
sgythy\_1009/12\_v1

 Be responsible  
Respect copyrights

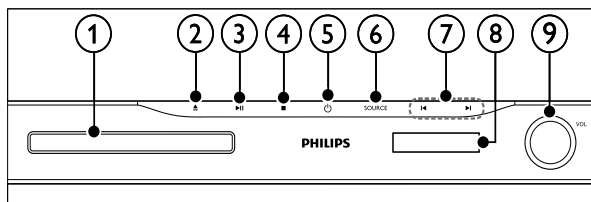


HTS5520/12:

# Your home theater

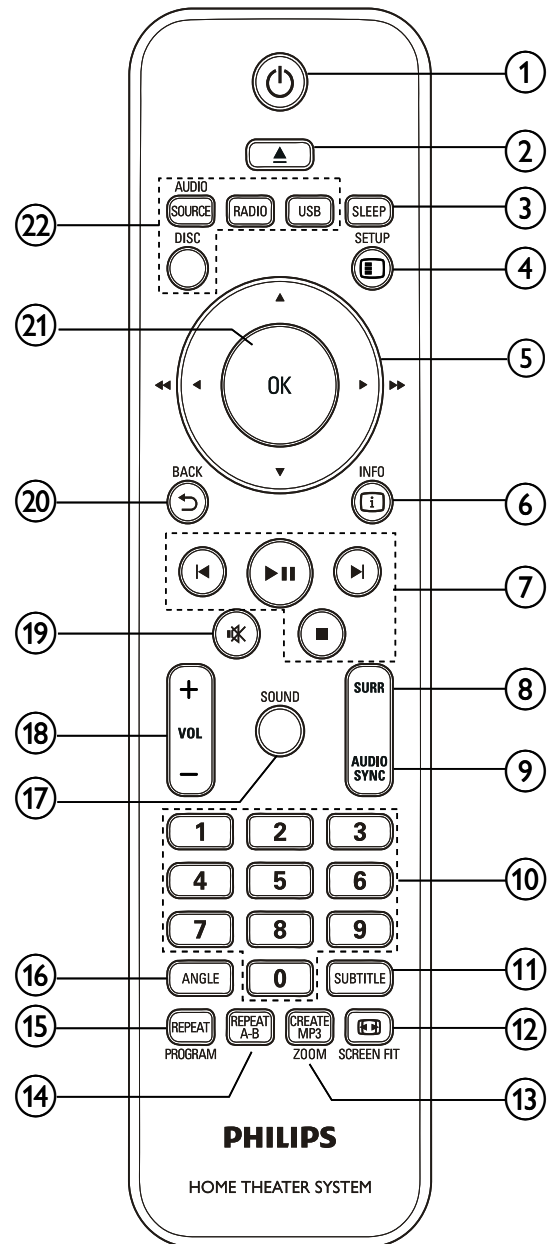
Congratulations on your purchase, and welcome to Philips! To fully benefit from the support that Philips offers, register your home theater at [www.philips.com/welcome](http://www.philips.com/welcome).

## Main unit



- ① **Disc compartment**
- ② **▲ (Open/Close)**  
Opens or closes the disc compartment.
- ③ **▶|| (Play/Pause)**  
Starts, pauses or resumes play.
- ④ **■ (Stop)**
  - Stops play.
  - In radio mode, erases the current preset radio station.
- ⑤ **⏻ (Standby-On)**  
Switches the home theater on or to standby.
- ⑥ **SOURCE**  
Selects an audio/video source for the home theater.
- ⑦ **◀/▶**
  - Skips to the previous or next track, chapter or file.
  - In radio mode, selects a preset radio station.
- ⑧ **Display panel**
- ⑨ **Volume control wheel**

## Remote control



- ① **⏻ (Standby-On)**  
Switches the home theater on or to standby.
- ② **▲ OPEN/CLOSE**  
Opens or closes the disc compartment.
- ③ **SLEEP**  
Switches the home theater to standby after the preset time selected.

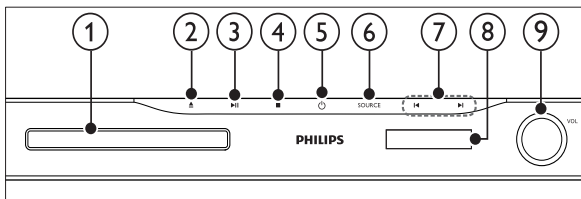
- ④ **⏏ SETUP**  
Accesses or exits the setup menu.
- ⑤ **▲▼◀▶ (Navigation buttons)**
- Navigate menus.
  - In video mode, press left or right to fast backward or fast forward.
  - In radio mode, press left or right to search a radio station; press up or down to fine tune a radio frequency.
- ⑥ **i INFO**  
Displays information about what is playing.
- ⑦ **Playback buttons**  
Control playback.
- ⑧ **SURR (Surround Sound)**  
Switches to surround sound or stereo sound.
- ⑨ **AUDIO SYNC**
- Selects an audio language or channel.
  - Press and hold to synchronize audio with video. Use with +/-.
- ⑩ **Numeric buttons**  
Selects an item to play.
- ⑪ **SUBTITLE**  
Selects subtitle language for video.
- ⑫ **Ⓜ SCREEN FIT**  
Fits the picture format to the TV screen.
- ⑬ **CREATE MP3/ZOOM**
- Accesses the menu to create MP3.
  - Zooms into a video scene or picture.
- ⑭ **REPEAT A-B**  
Marks two points within a chapter or track for repeat play, or turns off repeat mode.
- ⑮ **REPEAT / PROGRAM**
- Selects a repeat or shuffle mode.
  - In radio mode, programs radio stations.
- ⑯ **ANGLE**  
Displays options for different camera angles.
- ⑰ **SOUND**  
Selects a sound mode.
- ⑱ **VOL +/-**  
Increases or decreases volume.
- ⑲ **⊘ (Mute)**  
Mutes or restores volume.
- ⑳ **↶ BACK**  
Returns to a previous menu screen.
- ㉑ **OK**  
Confirms an entry or selection.
- ㉒ **Source buttons**
- **AUDIO SOURCE:** Selects an audio input source.
  - **RADIO:** Switches to FM radio.
  - **USB:** Switches to USB storage device.
  - **DISC:** Switches to disc source.

HTS5520/51/94:

## Your home theater

Congratulations on your purchase, and welcome to Philips! To fully benefit from the support that Philips offers, register your home theater at [www.philips.com/welcome](http://www.philips.com/welcome).

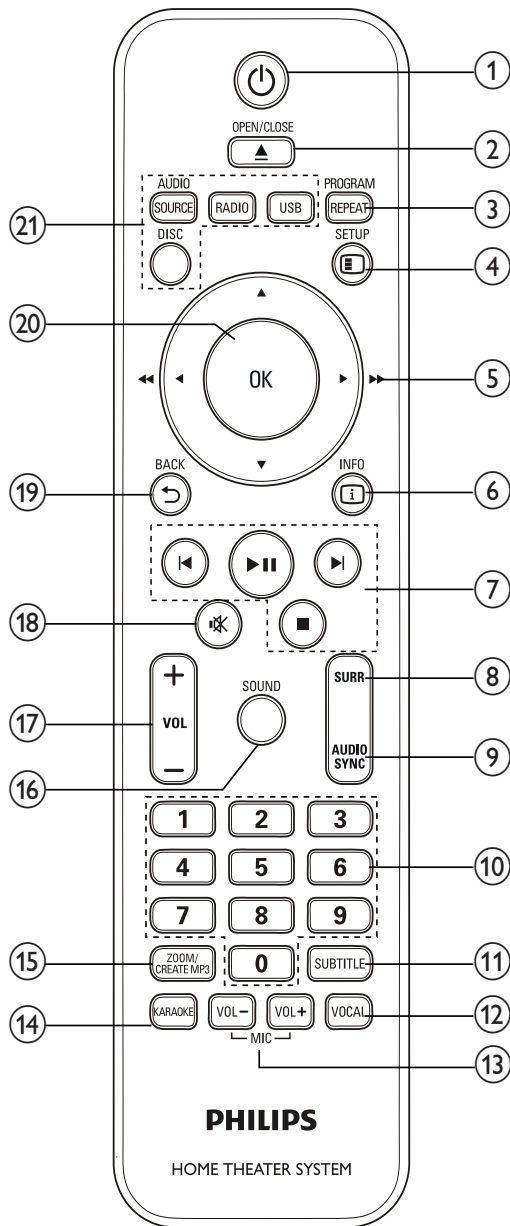
### Main unit



- ① **Disc compartment**
- ② **▲ (Open/Close)**  
Opens or closes the disc compartment.
- ③ **▶|| (Play/Pause)**  
Starts, pauses or resumes play.
- ④ **■ (Stop)**
  - Stops play.
  - In radio mode, erases the current preset radio station.
- ⑤ **⏻ (Standby-On)**  
Switches the home theater on or to standby.
- ⑥ **SOURCE**  
Selects an audio/video source for the home theater.
- ⑦ **⏮/⏭**
  - Skips to the previous or next track, chapter or file.
  - In radio mode, selects a preset radio station.
- ⑧ **Display panel**
- ⑨ **Volume control wheel**



## Remote control



- ① **⏻ (Standby-On)**  
Switches the home theater on or to standby.
- ② **▲ OPEN/CLOSE**  
Opens or closes the disc compartment.
- ③ **REPEAT / PROGRAM**
  - Selects a repeat or shuffle mode.
  - In radio mode, programs radio stations.
- ④ **☰ SETUP**  
Accesses or exits the setup menu.<sup>2</sup>
- ⑤ **▲▼◀▶ (Navigation buttons)**
  - Navigate menus.
  - In video mode, press left or right to fast backward or fast forward.
  - In radio mode, press left or right to search a radio station; press up or down to fine tune a radio frequency.
- ⑥ **ℹ INFO**  
Displays information about what is playing.
- ⑦ **Playback buttons**  
Control playback.
- ⑧ **SURR (Surround Sound)**  
Switches to surround sound or stereo sound.
- ⑨ **AUDIO SYNC**
  - Selects an audio language or channel.
  - Press and hold to synchronize audio with video. Use with +/-.
- ⑩ **Numeric buttons**  
Selects an item to play.
- ⑪ **SUBTITLE**  
Selects subtitle language for video.
- ⑫ **VOCAL**  
Turns off or on the vocal by changing the audio channel.
- ⑬ **MIC VOL +/-**  
Increases or decreases microphone volume.
- ⑭ **KARAOKE**  
Accesses or exits the karaoke menu.
- ⑮ **CREATE MP3 / ZOOM**
  - Accesses the menu to create MP3.
  - Zooms into a video scene or picture.
- ⑯ **SOUND**  
Selects a sound mode.
- ⑰ **VOL +/-**  
Increases or decreases volume.
- ⑱ **🔇 (Mute)**  
Mutes or restores volume.
- ⑲ **↶ BACK**  
Returns to a previous menu screen.
- ⑳ **OK**  
Confirms an entry or selection.
- ㉑ **Source buttons**
  - **AUDIO SOURCE:** Selects an audio input source.
  - **RADIO:** Switches to FM radio.
  - **USB:** Switches to USB storage device.
  - **DISC:** Switches to disc source.

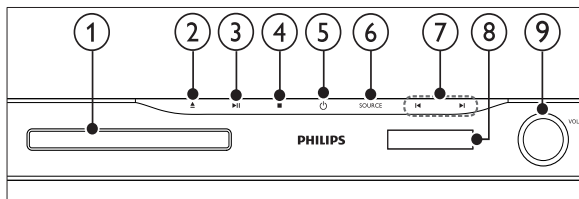
HTS5520/93:

## Your home theater

Congratulations on your purchase, and welcome to Philips! To fully benefit from the support that Philips offers, register your home theater at [www.philips.com/welcome](http://www.philips.com/welcome).

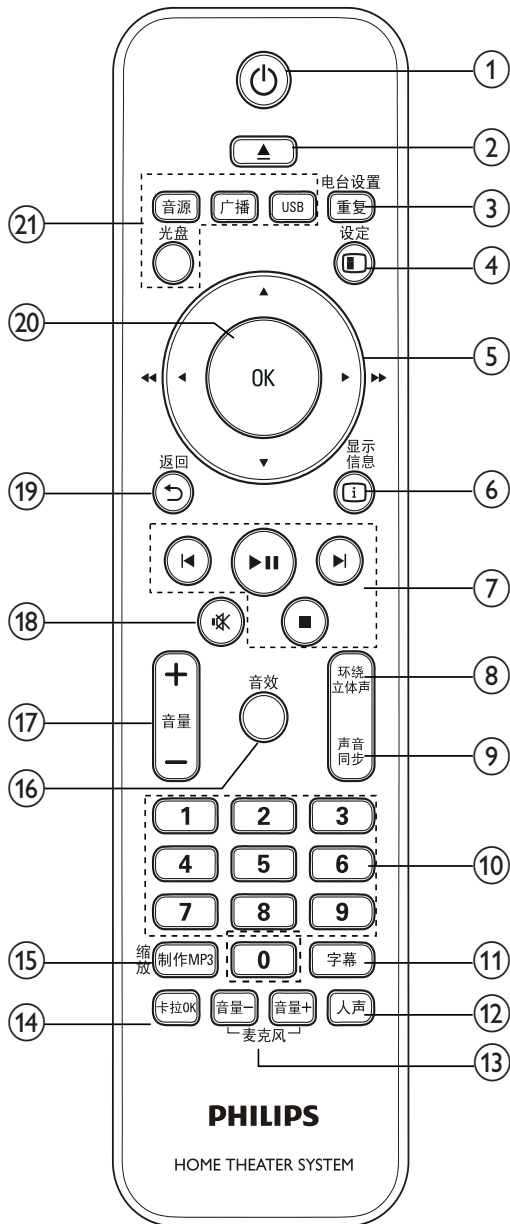
---

### Main unit



- ① **Disc compartment**
- ② **▲ (Open/Close)**  
Opens or closes the disc compartment.
- ③ **▶|| (Play/Pause)**  
Starts, pauses or resumes play.
- ④ **■ (Stop)**
  - Stops play.
  - In radio mode, erases the current preset radio station.
- ⑤ **⏻ (Standby-On)**  
Switches the home theater on or to standby.
- ⑥ **SOURCE**  
Selects an audio/video source for the home theater.
- ⑦ **◀/▶**
  - Skips to the previous or next track, chapter or file.
  - In radio mode, selects a preset radio station.
- ⑧ **Display panel**
- ⑨ **Volume control wheel**

## Remote control



- ① **⏻ (Standby-On)**
- Switches the home theater on or to standby.
- ② **▲ (Open/Close)**
- Opens or closes the disc compartment.
- ③ **重复 / 电台设置**
- Selects a repeat or shuffle mode.
  - In radio mode, programs radio stations.
- ④ **☰ - 设定**
- Accesses or exits the setup menu.

- ⑤ **▲▼◀▶ (Navigation buttons)**
- Navigate menus.
  - In video mode, press left or right to fast backward or fast forward.
  - In radio mode, press left or right to search a radio station; press up or down to fine tune a radio frequency.
- ⑥ **ⓘ - 显示信息**
- Displays information about what is playing.
- ⑦ **Playback buttons**
- Control playback.
- ⑧ **环绕立体声**
- Switches to surround sound or stereo sound.
- ⑨ **声音同步**
- Selects an audio language or channel.
  - Press and hold to synchronize audio with video. Use with +/-.
- ⑩ **Numeric buttons**
- Selects an item to play.
- ⑪ **字幕**
- Selects subtitle language for video.
- ⑫ **人声**
- Turns off or on the vocal by changing the audio channel.
- ⑬ **麦克风 (音量+/-)**
- Increases or decreases microphone volume.
- ⑭ **卡拉OK**
- Accesses or exits the karaoke menu.
- ⑮ **制作MP3 / 缩放**
- Accesses the menu to create MP3.
  - Zooms into a video scene or picture.
- ⑯ **音效**
- Selects a sound mode.
- ⑰ **音量+/-**
- Increases or decreases volume.
- ⑱ **🔇 (Mute)**
- Mutes or restores volume.
- ⑲ **↶ - 返回**
- Returns to a previous menu screen.
- ⑳ **OK**
- Confirms an entry or selection.
- ㉑ **Source buttons**
- 音源:** Selects an audio input source.
  - 广播:** Switches to FM radio.
  - USB:** Switches to USB storage device.
  - 光盘:** Switches to disc source.

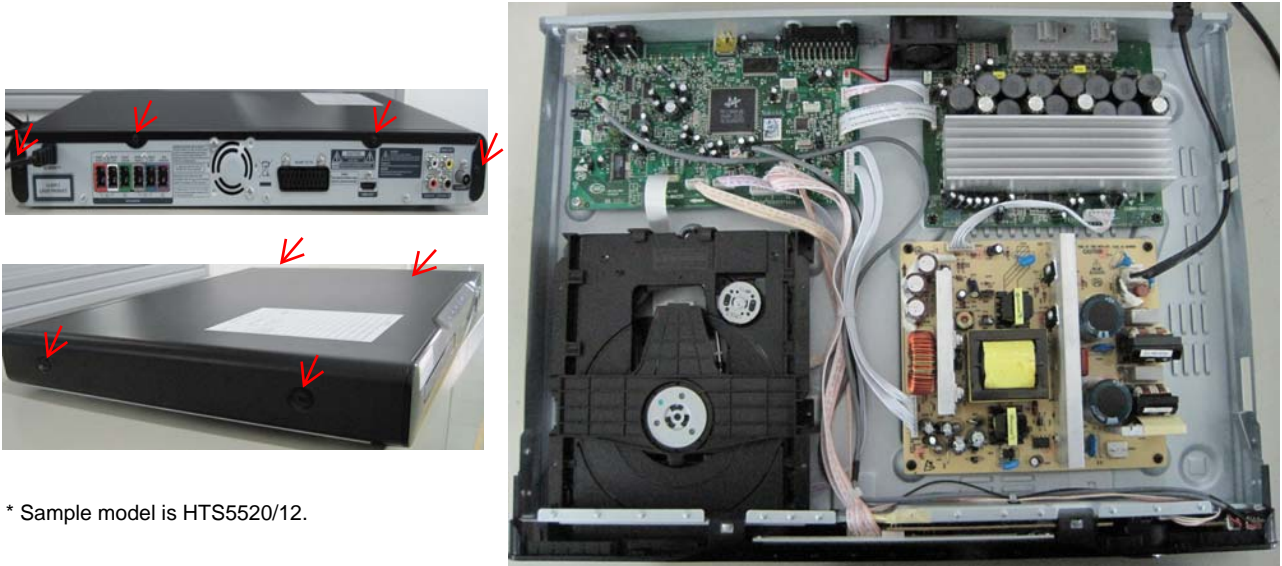
## Mechanical and Dismantling Instructions

### Dismantling Instruction

Detailed information please refer to the model set.

The following guidelines show how to dismantle the player.

**Step1:** Remove 8 screws around the Top Cover, and then remove the Top Cover (Figure 1).



\* Sample model is HTS5520/12.

Figure 1

**Step2:** If it is necessary to dismantle Loader or Front Panel, the Front door should be removed first. (Figure 2)

Note: Make sure to operate gently otherwise the guider would be damaged.



Please kindly note that dismantle the Front door assembly carefully to avoid damage Tray and the front door.

Figure 2

## Mechanical and Dismantling Instructions

### Dismantling Instruction

Detailed information please refer to the model set.

**Step3:** If the tray can't open in normal way, you can make it through the instruction as below (Figure 3).

Note: Make sure to operate gently otherwise the guider would be damaged.

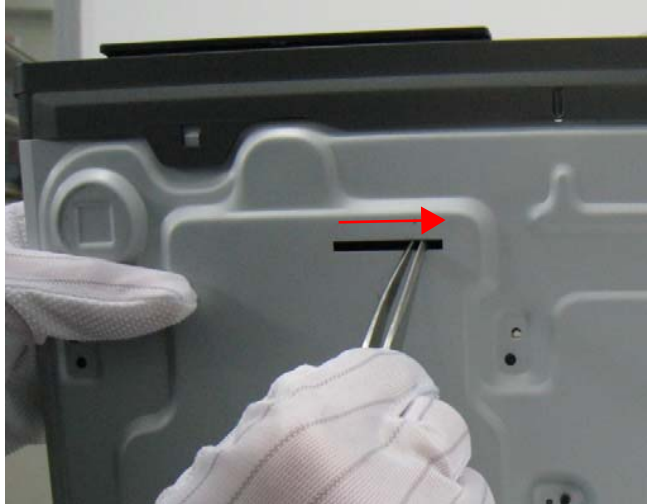


Figure 3

**Step4:** Dismantling Front Panel, disconnect the connectors (XP16, XP18, XP9), need release 4 snaps of Front Panel & 3 snaps of bottom cabinet, then gently pull the Panel out from the set. (Figure 4 - Figure 6)

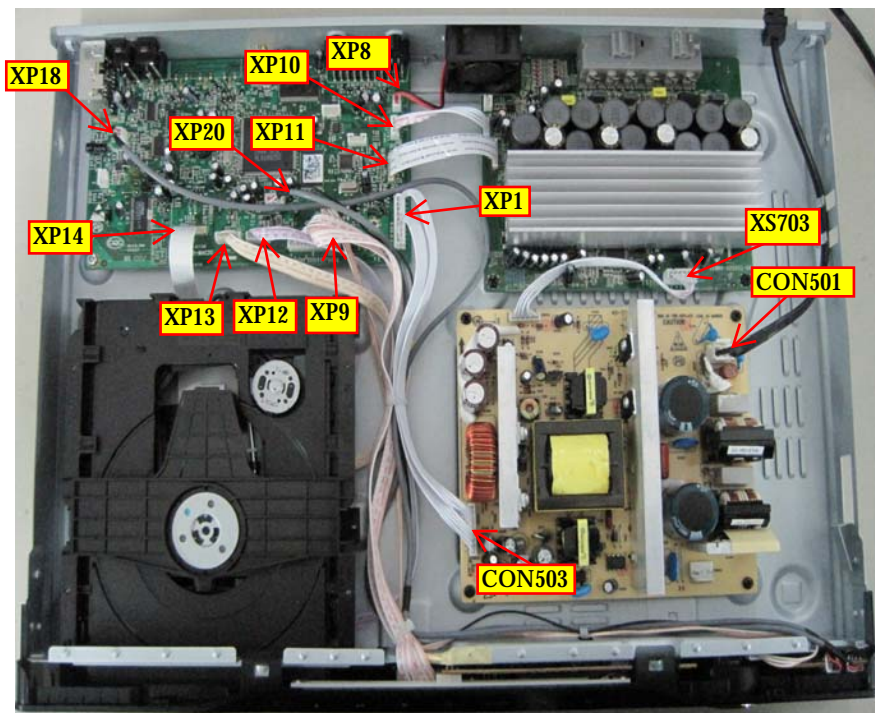


Figure 4



## Mechanical and Dismantling Instructions

### Dismantling Instruction

Detailed information please refer to the model set.

**Step5:** Dismantling Loader, disconnect the 3 connectors (XP12, XP13, XP14) aiming in the below figure, and remove 1 screws that connects the loader and the bottom cabinet. (Figure 5)

Dismantling the Turn Knob assembly, invert the Assy Front Panel and remove 2 screws on Encoder board, then take it apart. (Figure 6)



Figure 5



Figure 6

**Step6:** Dismantling Main Board, first disconnect 4 connectors (XP1, XP8, XP10, XP11), and then remove 7 screws. (Figure 7)

**Step7:** Dismantling Power Board, disconnect the connectors XS703 and CON501 then remove 4 screws. (Figure 7)

**Step8:** Dismantling Amplifier Board, remove 4 screws from the PCB. (Figure 7)

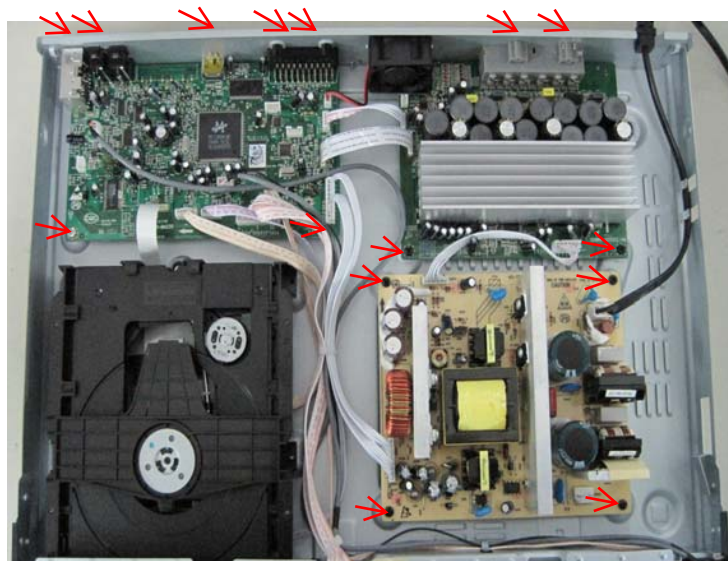


Figure 7

## Software upgrade

---

### Preparation to upgrade software

- 1) Power on the set and open the tray, then press "5" "5" on remote control to check the SW File Name.
- 2) Start the CD Burning software and create a new CD project (Data Disc) with the following setting:  
 Label: HTSXXXX (No need the label name)  
 SW File Name: HTSXXXX\_XX.BIN  
 Note: It is required to keep the SW file name accord.
- 3) Burn the data onto a blank CDR

#### A. Procedure for software upgrade:

- A) Upgrade software via CDR:
  - 1) Power on the set and insert the prepared Upgrade CDR.
  - 2) The set will starts reading disc & response with the following display TV screen:  
 Upgrade File DETECTED  
 Upgrade?  
 Press Play TO START.
  - 3) Press "OK" button to confirm, then screen will display:  
 Files coping...  
 UPGRADING...
  - 4) The upgraded tray will automatically open when file copying completed, then take the disc out.
  - 5) About 1 minute later, the tray will automatically close when upgrading completed.
- B) Upgrade software via USB Flash Drive:
  - 1) Create the correct software file onto the USB flash drive.
  - 2) Power on the set and keep no disc, then insert it to the USB jack of the front panel.
  - 3) When DVD player switches to the USB state automatically, pls follow the instructions on the TV screen to confirm the upgrade operation.

#### B. Read out the software versions to confirm upgrading

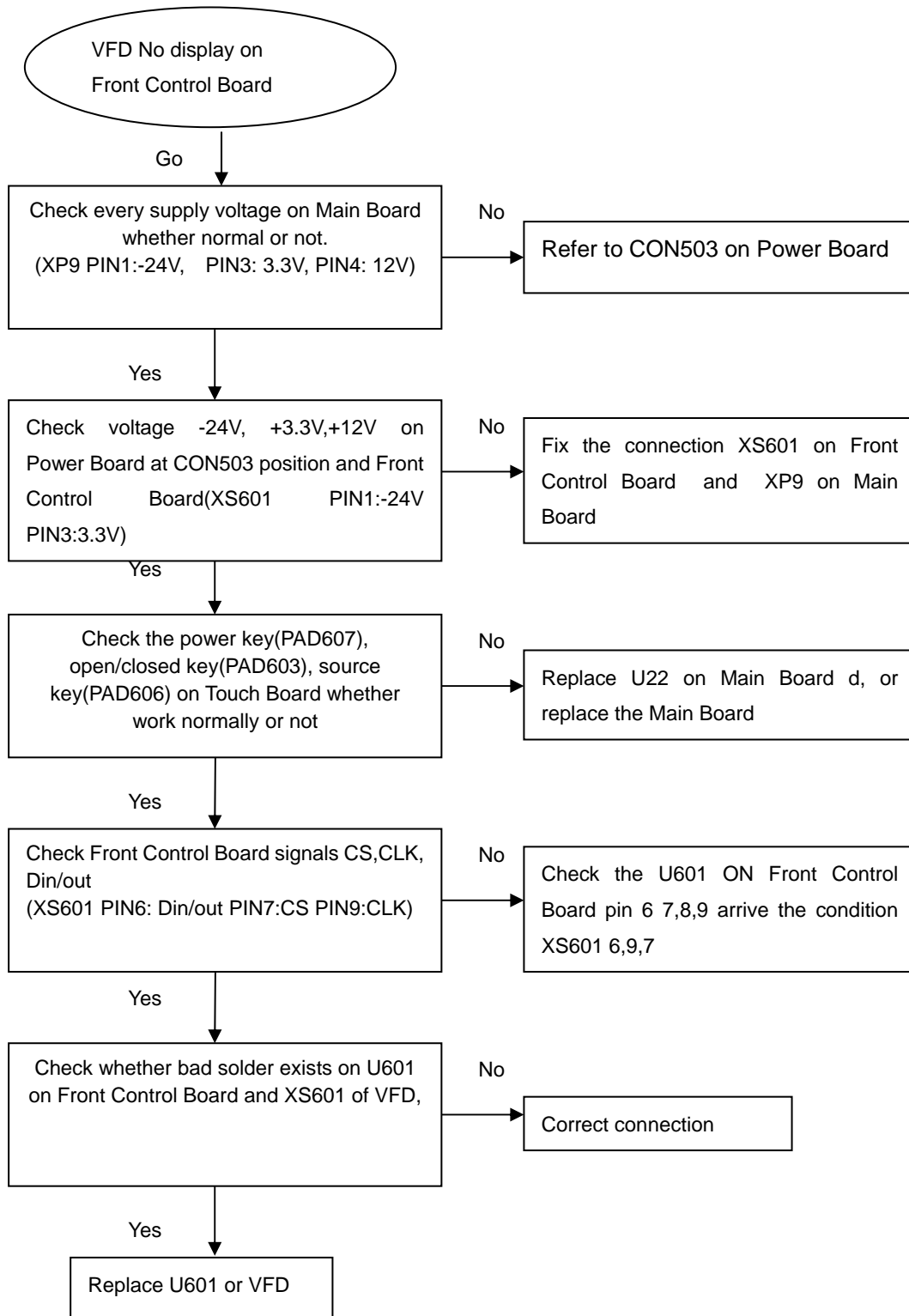
- 1) Power on the set and press "Setup" button on the remote control.
- 2) Press "1" "3" "7" "9" button or press down cursor on remote control to select "Preferences" and press right & down cursor to select "Version Info".

The software version and other informations will be displayed on the TV screen as follows:

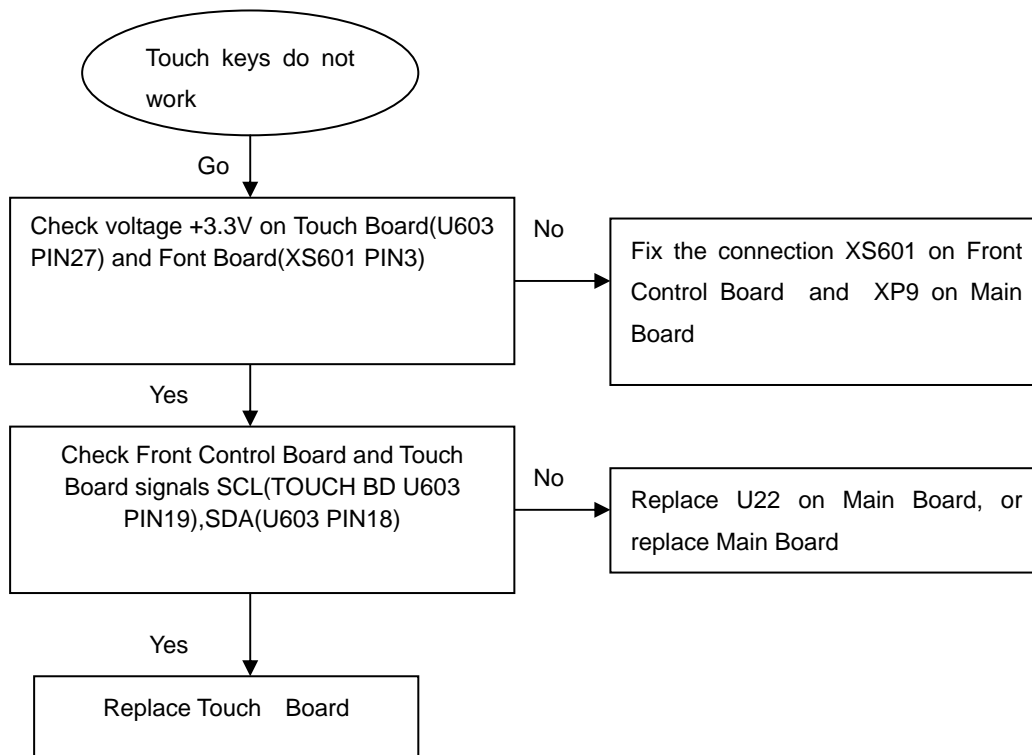
File Name	HTSXXXX_XX.BIN
Version	XX.XX.XX.XX (Main version)
Sub-Ver	XX.XX.XX.XX (version of applicaton software)
RISC	XX.XX.XX.XX
Servo	XX.XX.XX.XX (software version of Servo)
Region Code	X
HDCP	PASS
MCU	XX

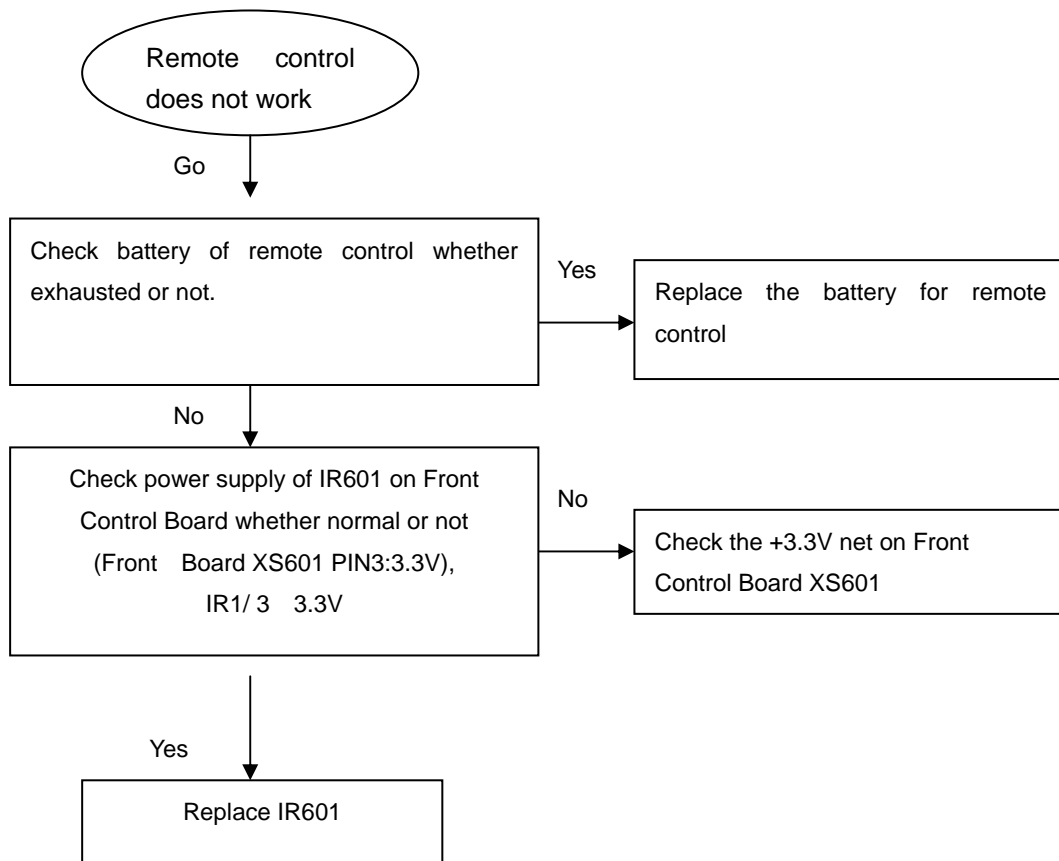
**Caution:** The set must not be power off during upgrading, Otherwise the Main board will be damaged entirely.

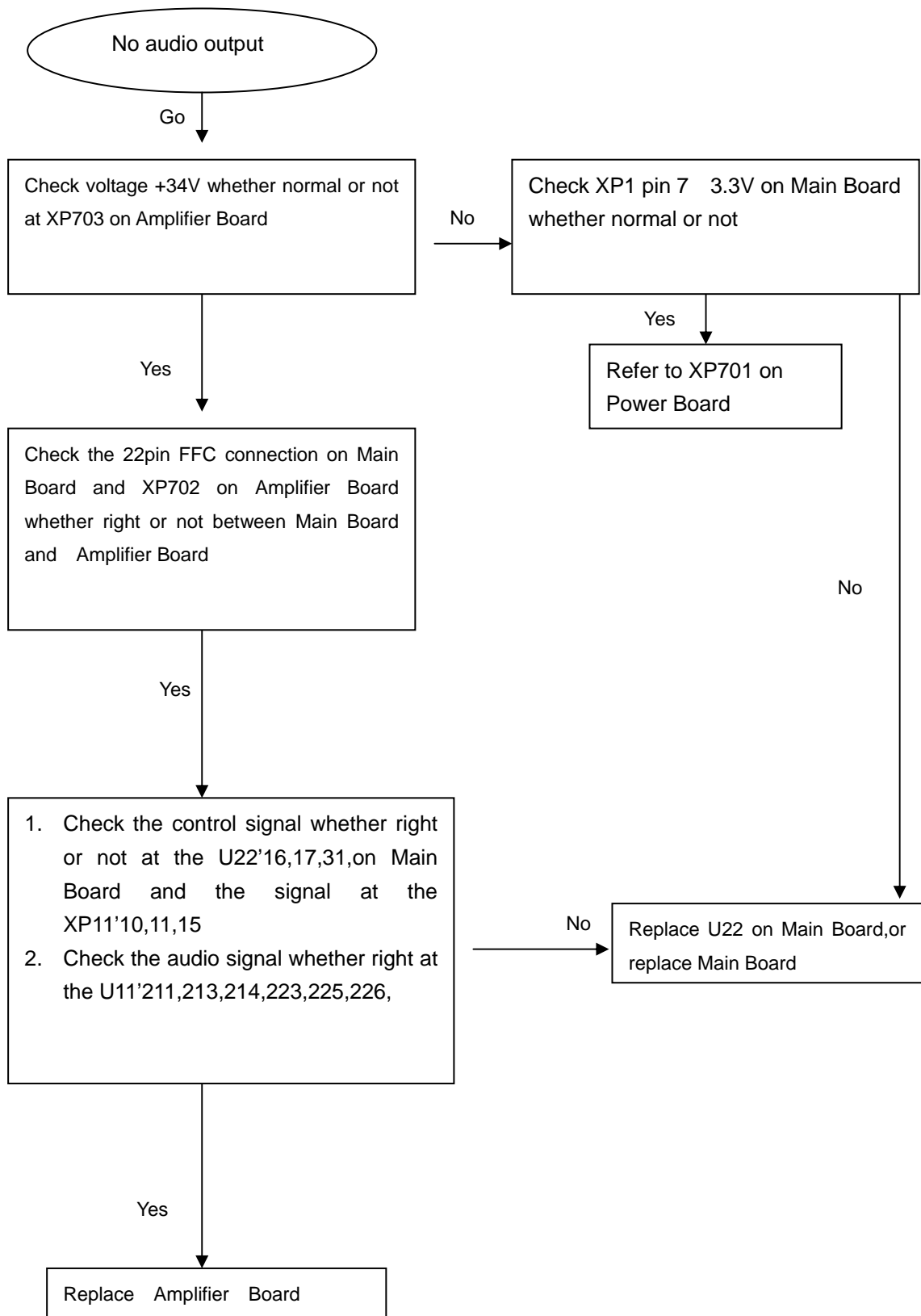
### VFD No display on Front Control Board

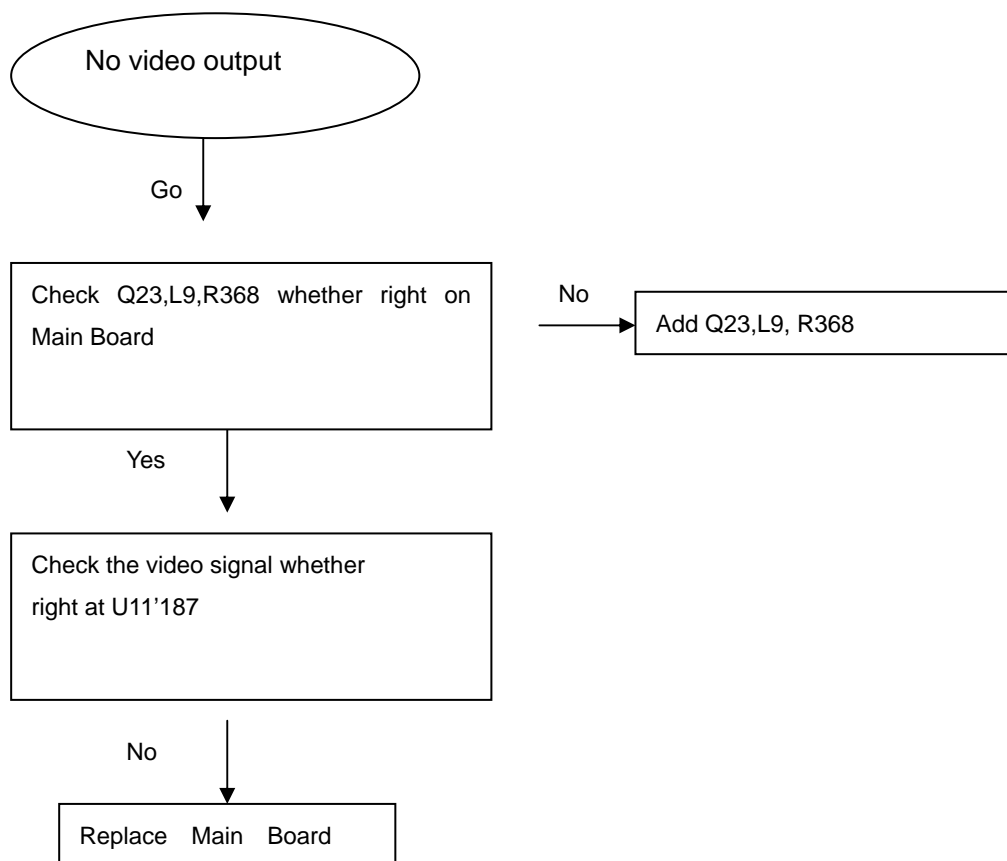


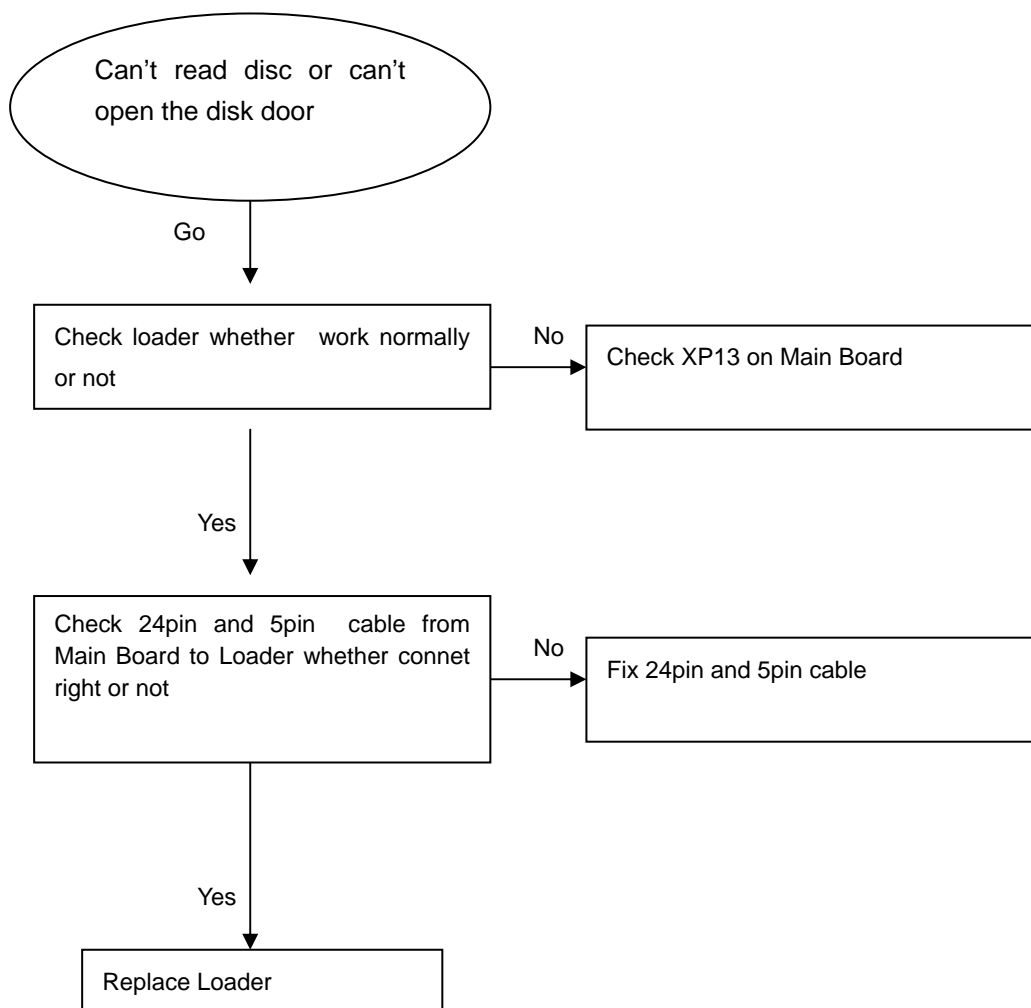


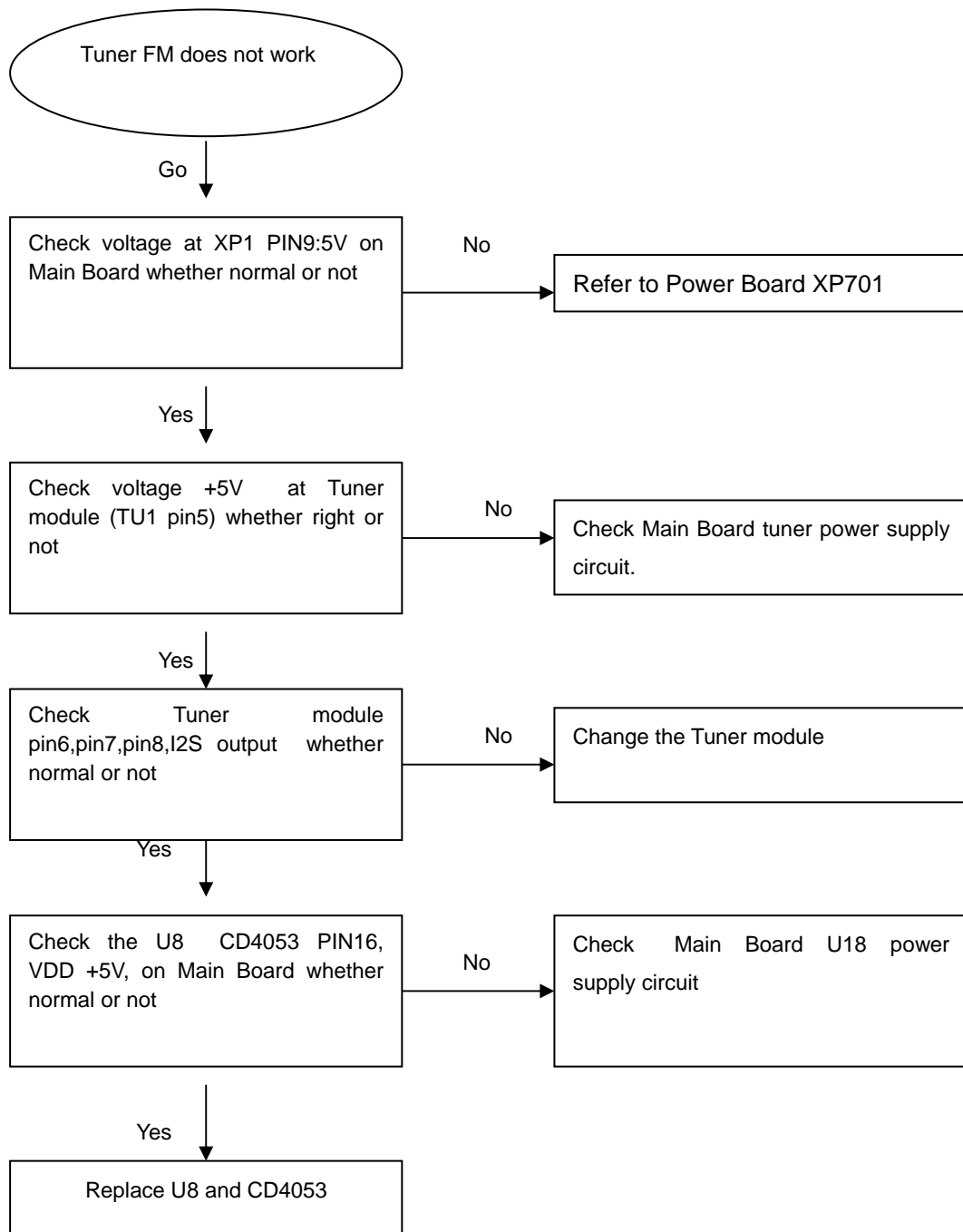
**Touch keys do not work**

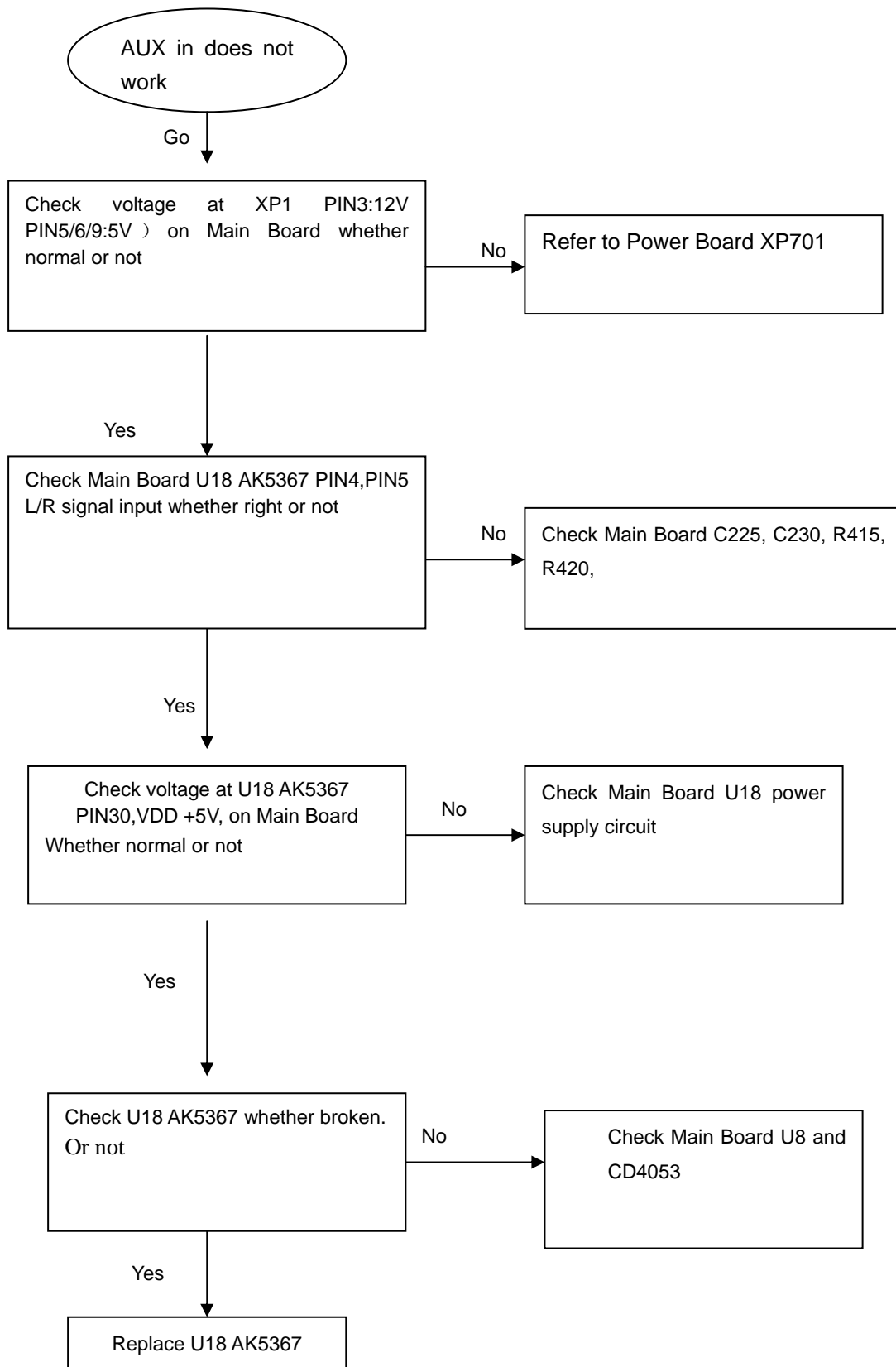
**Remote control does not work**

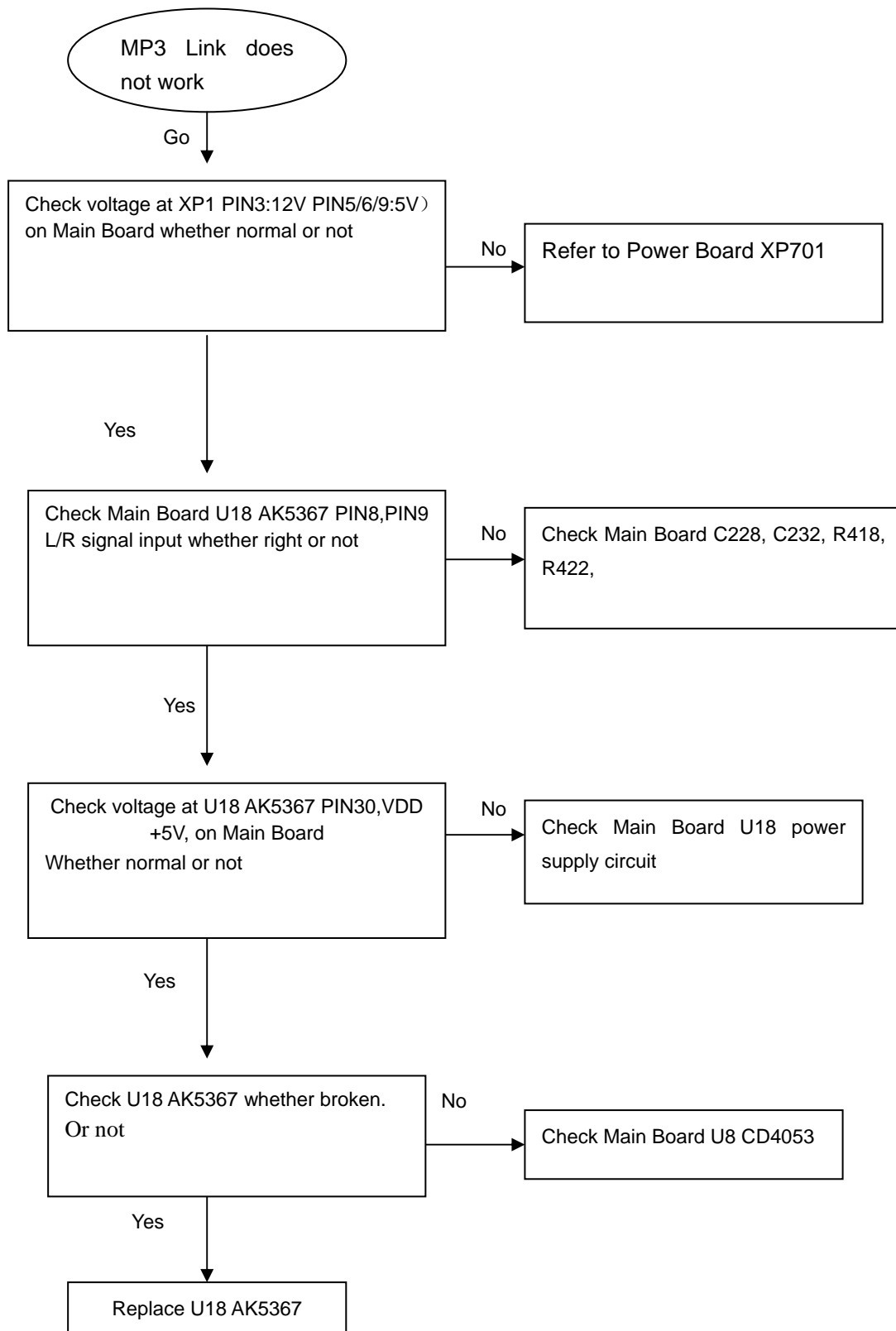
**No audio output**

**No video output**

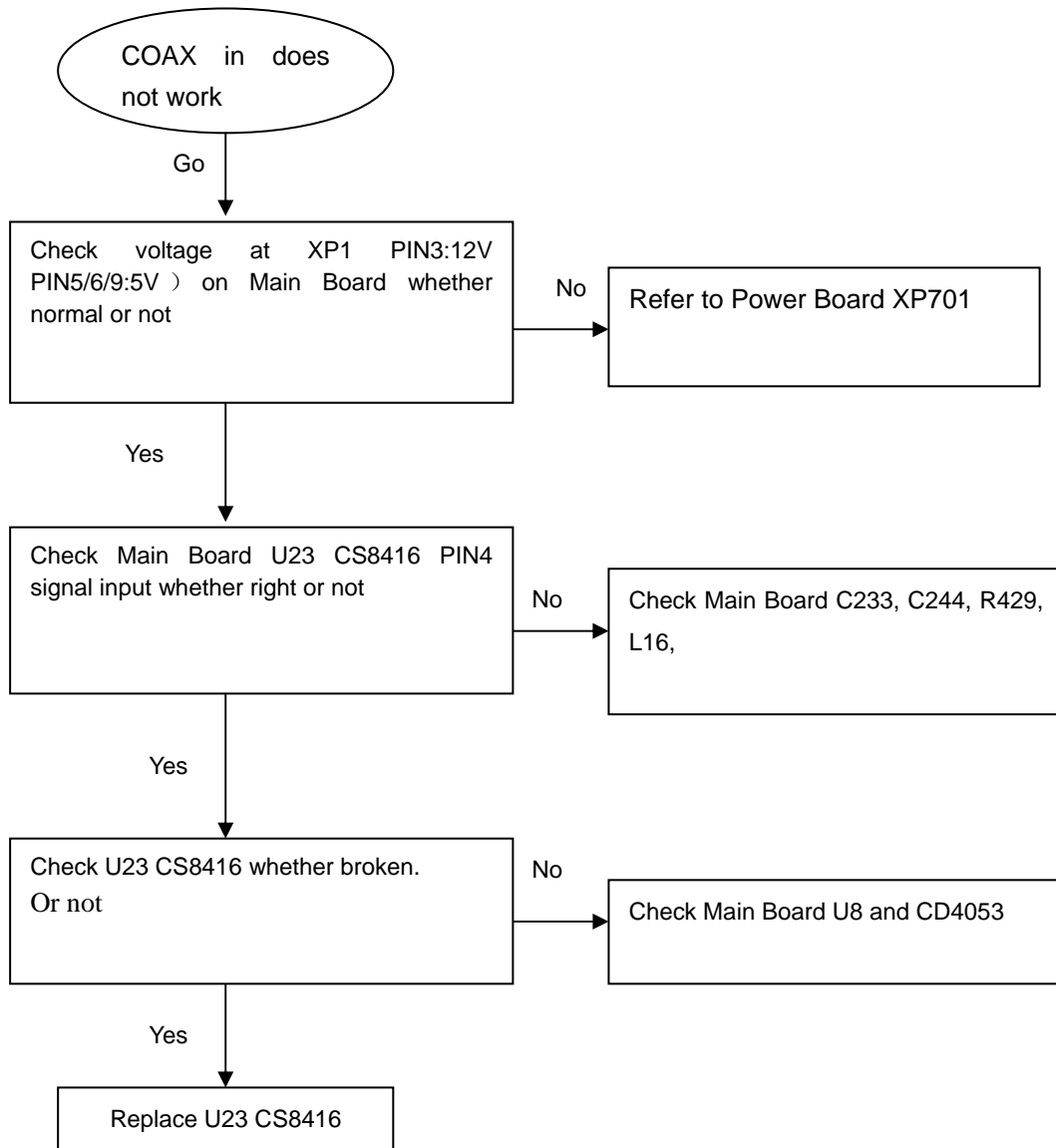
**Can't read disc or can't open the disk door**

**Tuner FM does not work**

**AUX in does not work**

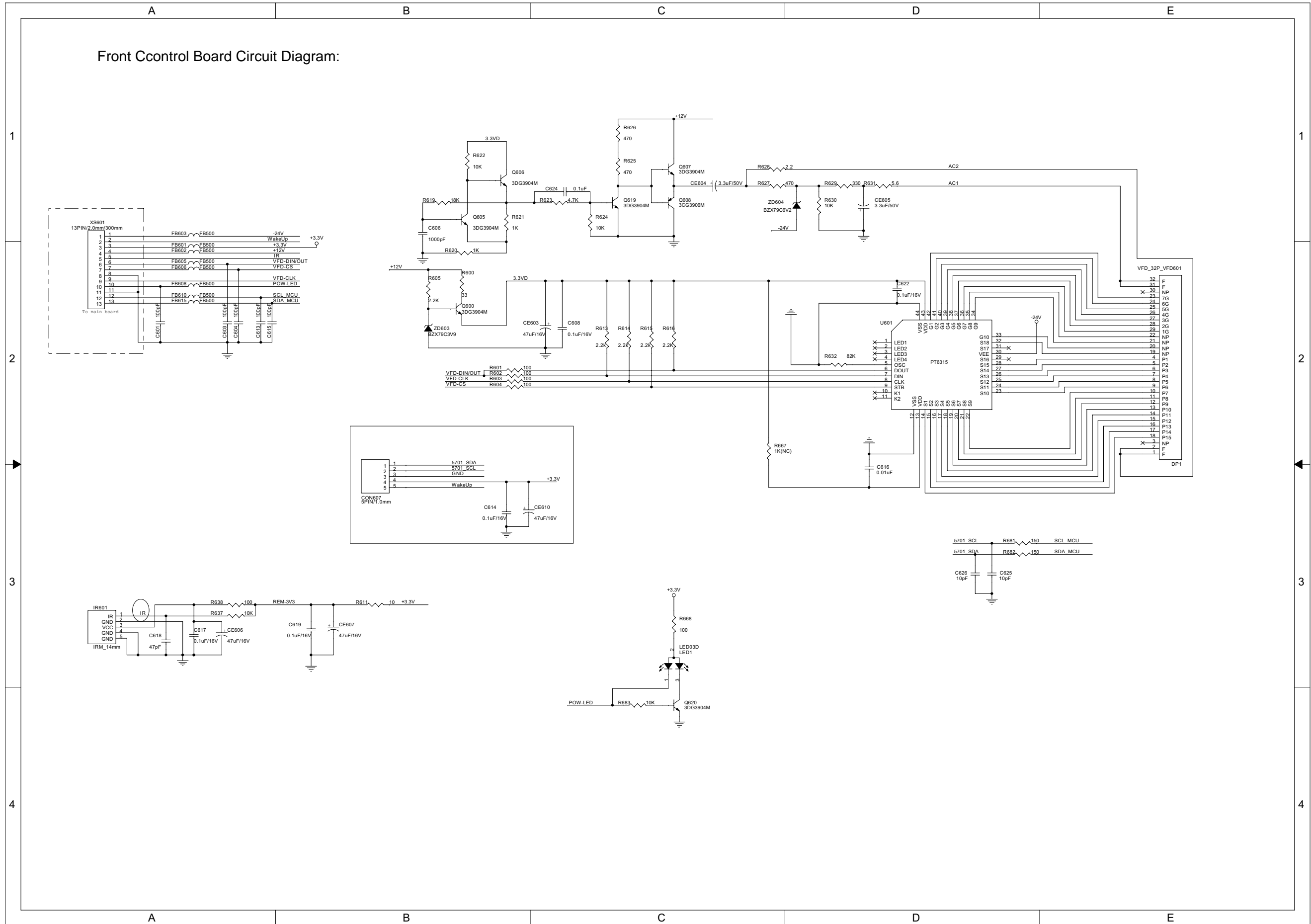
**MP3 Link does not work**



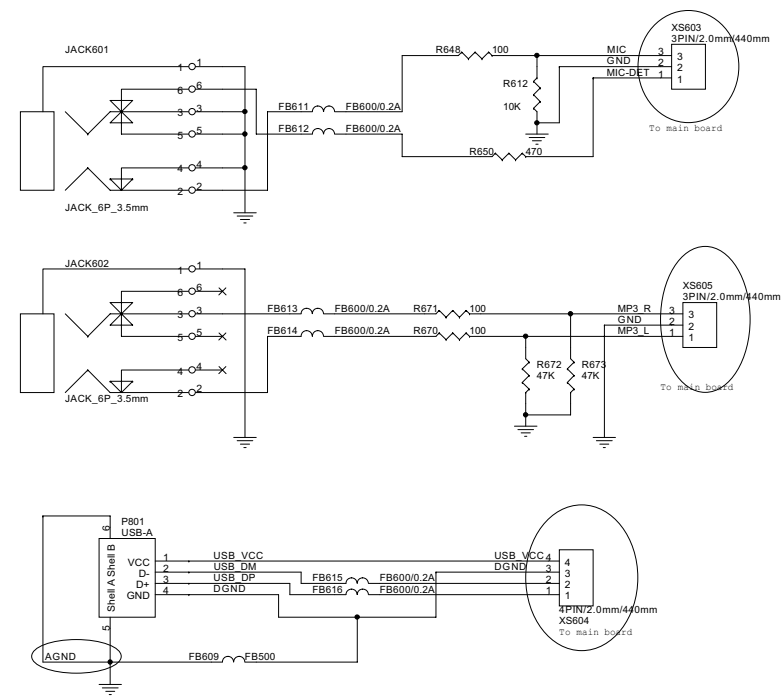
**COAX in does not work**



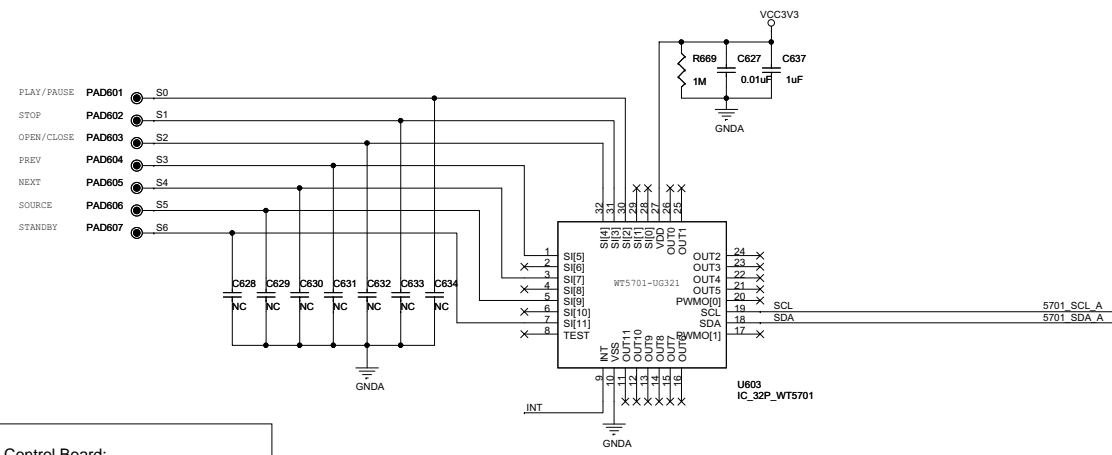
Front Control Board Circuit Diagram:



Karaoke and USB Board Circuit Diagram:



Touch Panel Board Circuit Diagram: WT5701



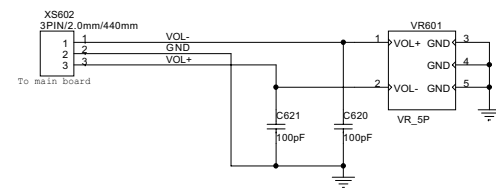
Connect to Front Control Board:

1	INT	STBY_WakeUp
2		VCC3V3
3		GND
4		5701_SCL_A
5		5701_SDA_A

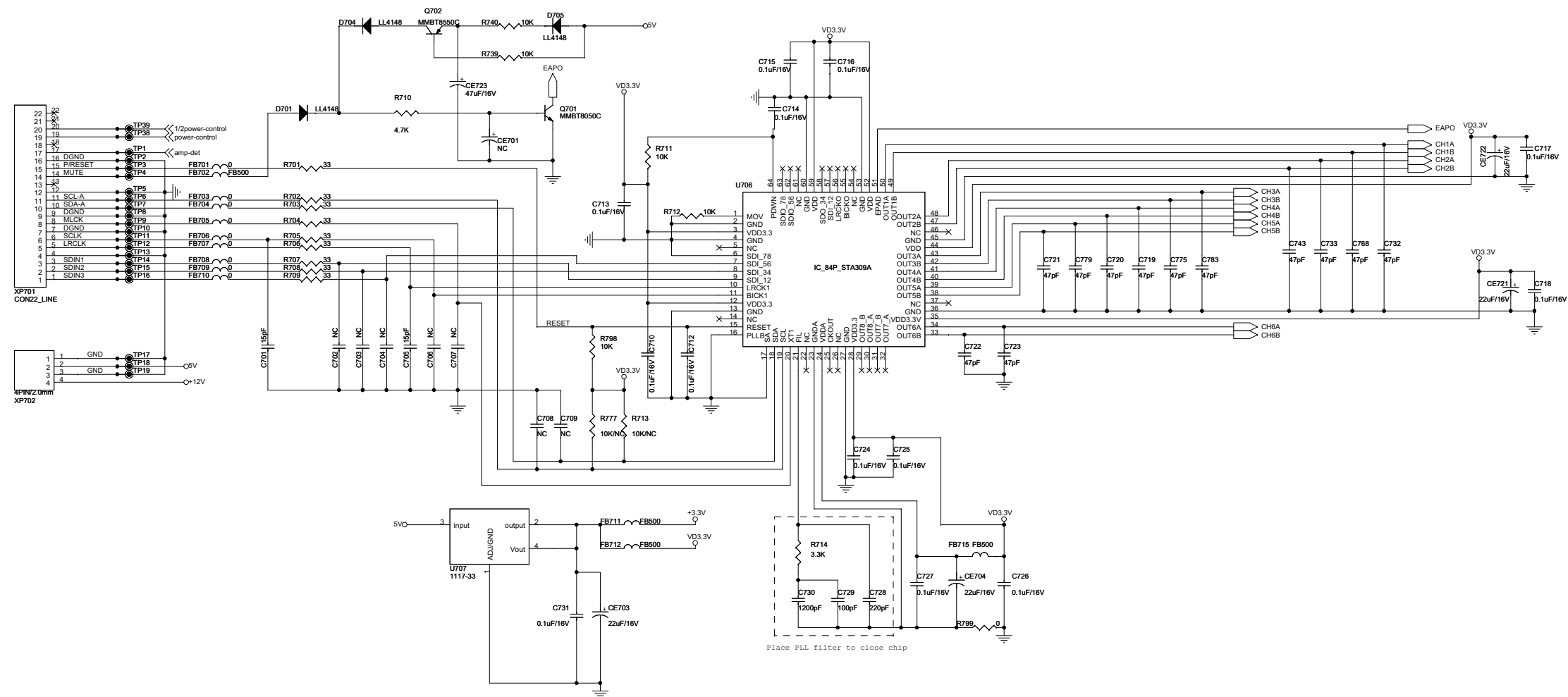
CON096  
 Spn 1.0mm

5701\_SCL\_A/5701\_SDA\_A is 12C communication line of Touch Keys.

Encoder Board Circuit Diagram:

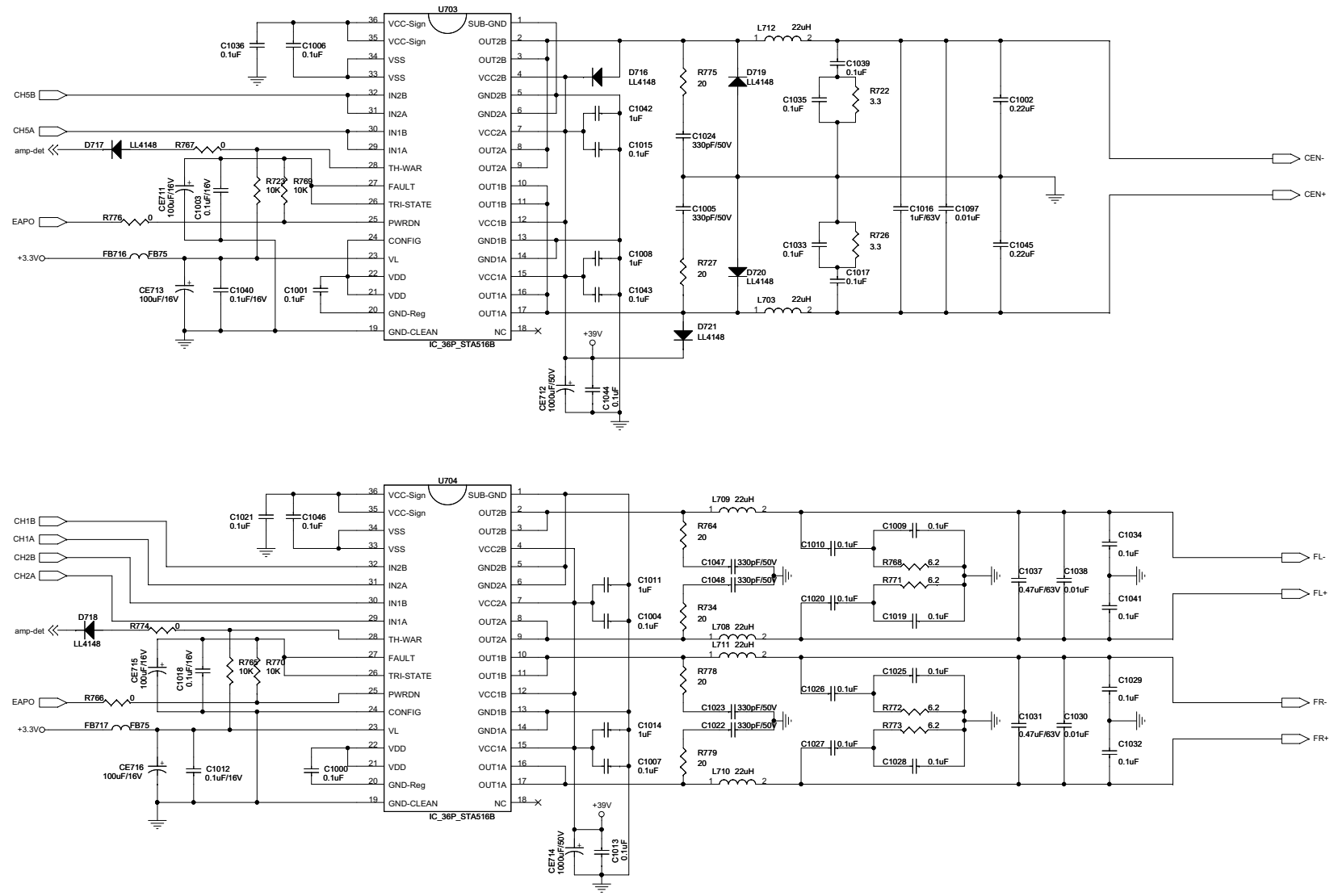


### Amplifier Board Circuit Diagram: STA309A



Place PLL filter to close chip

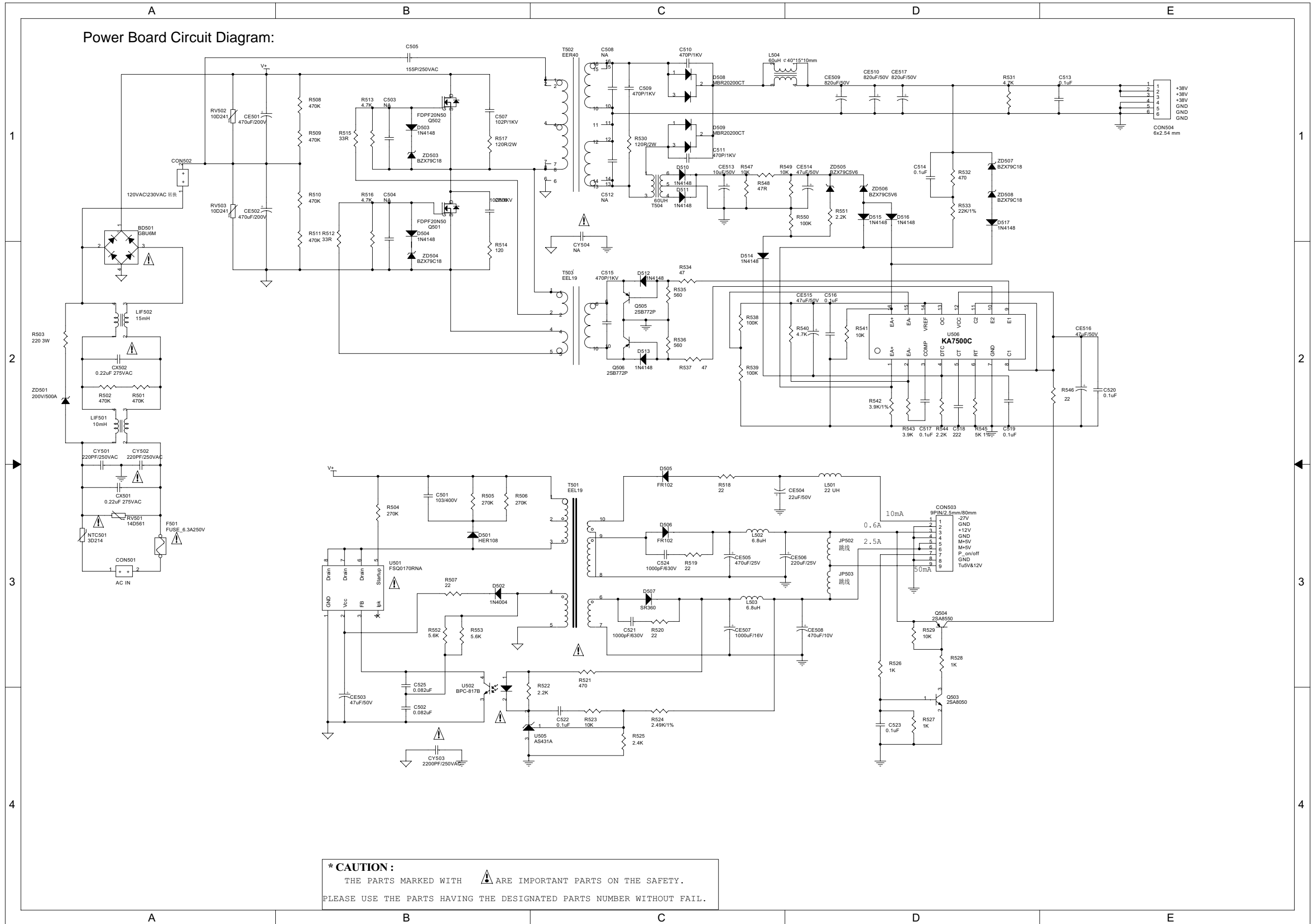
### Amplifier Board Circuit Diagram: STA516B\_1








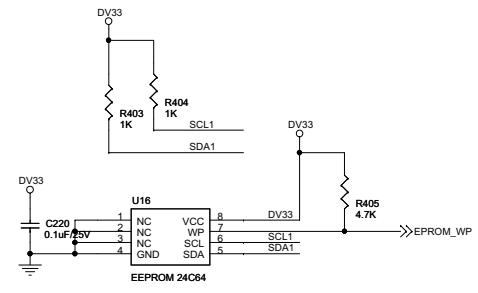
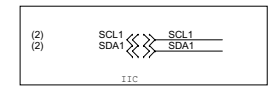
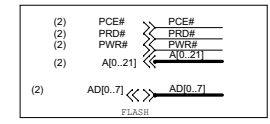
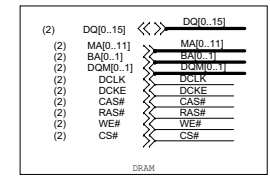
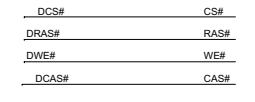
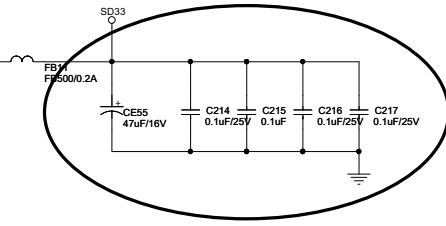
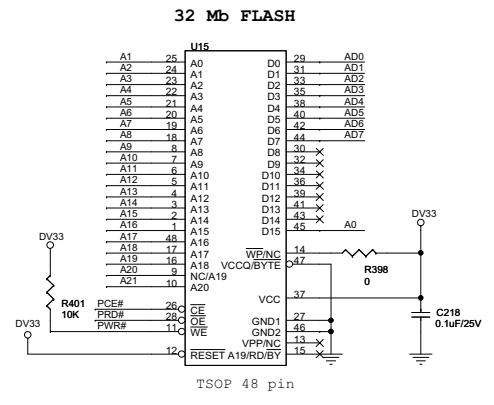
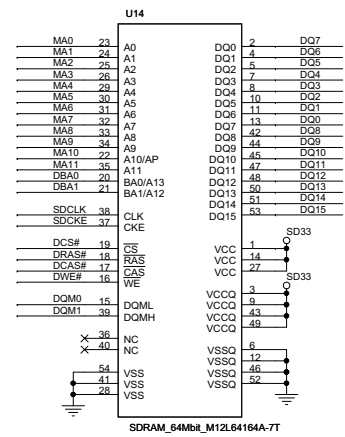
### Power Board Circuit Diagram:



**\* CAUTION :**  
 THE PARTS MARKED WITH  ARE IMPORTANT PARTS ON THE SAFETY.  
 PLEASE USE THE PARTS HAVING THE DESIGNATED PARTS NUMBER WITHOUT FAIL.



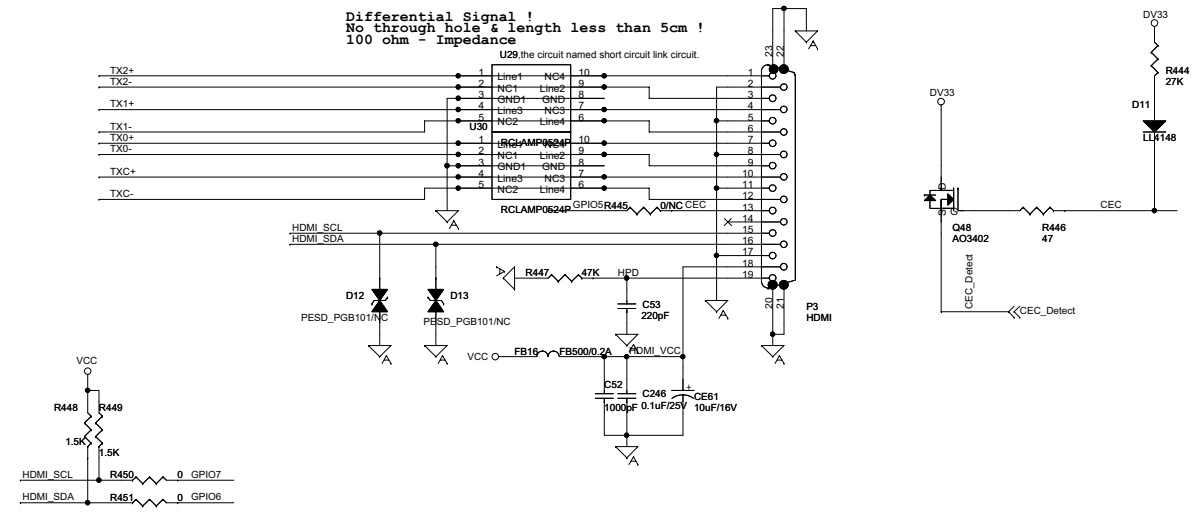
### Main Board Circuit Diagram: SDRAM & FLASH



### Main Board Circuit Diagram: HDMI

TXC+	TXC+	(2)
TXC-	TXC-	(2)
TX0+	TX0+	(2)
TX0-	TX0-	(2)
TX1+	TX1+	(2)
TX1-	TX1-	(2)
TX2+	TX2+	(2)
TX2-	TX2-	(2)
HPD	HPD	(2)
GPIO[5..7]	GPIO[5..7]	(2)

THGS 1/7



1

2

3

4

1

2

3

4

A

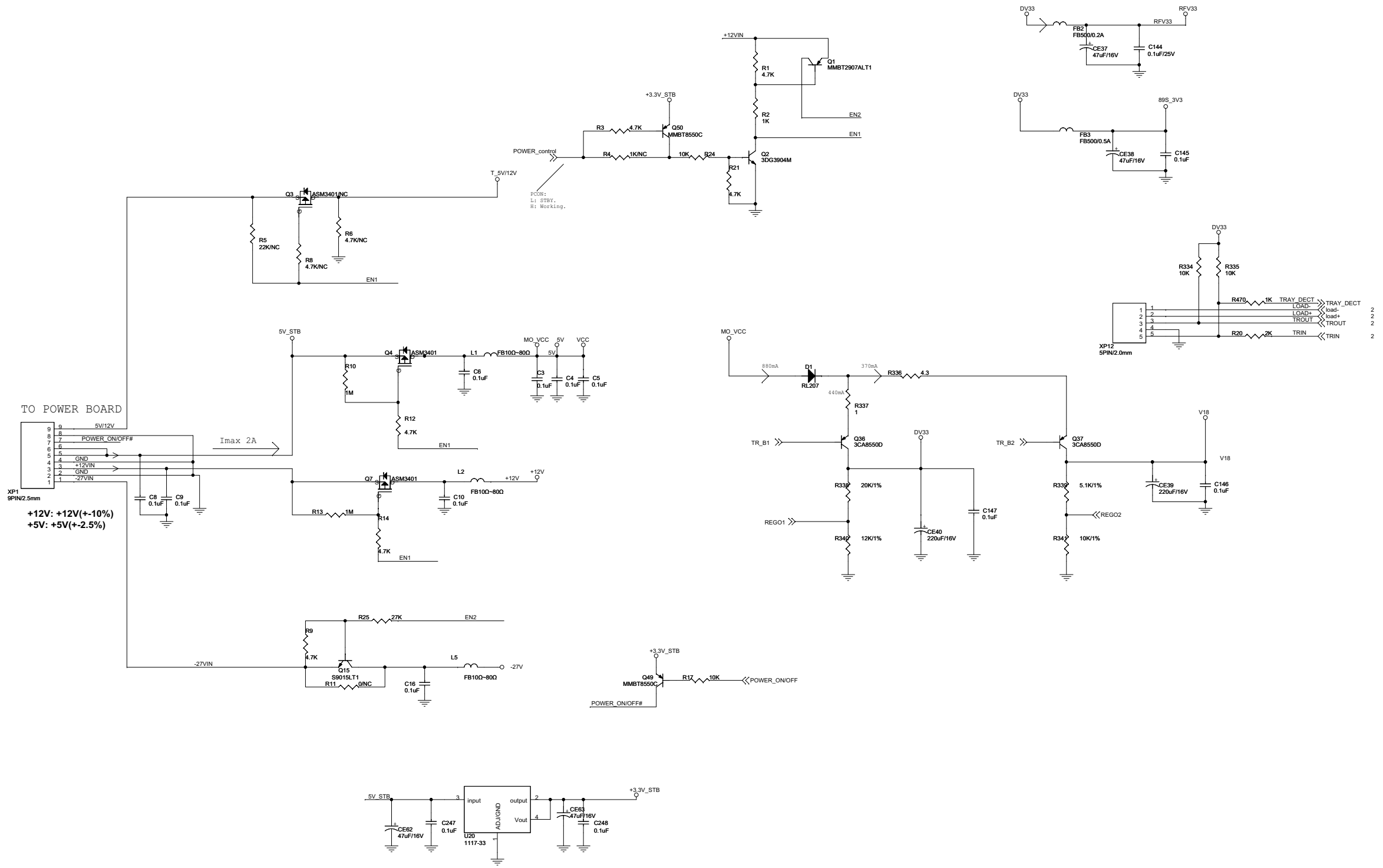
B

C

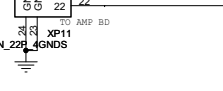
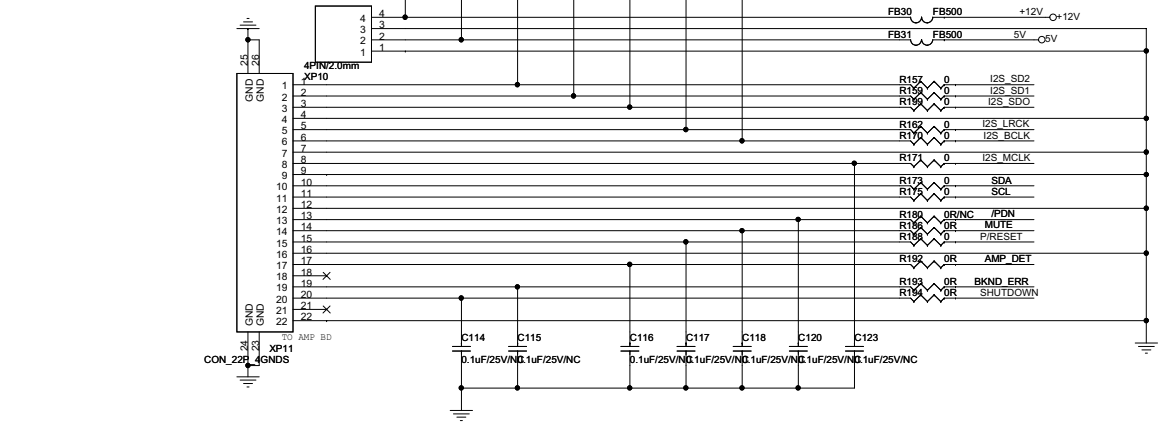
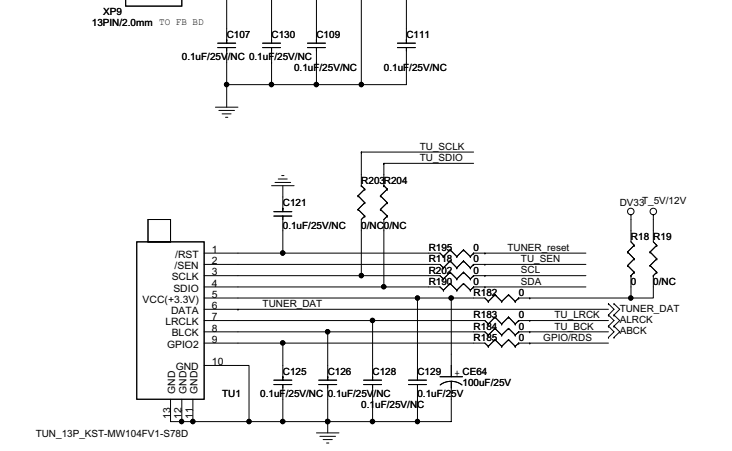
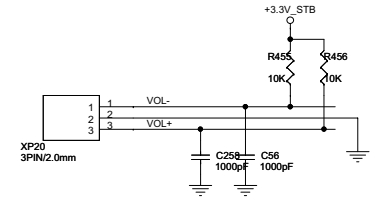
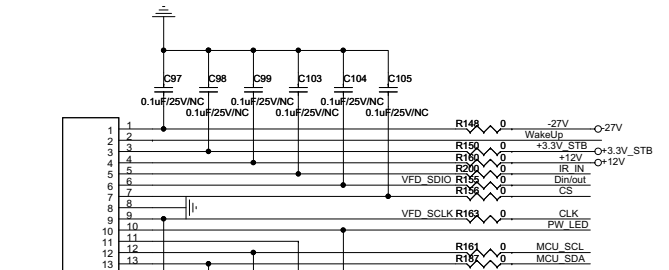
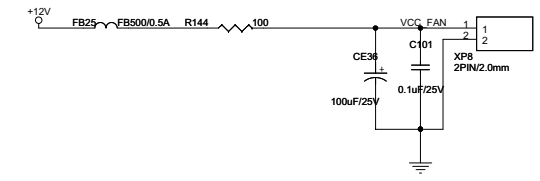
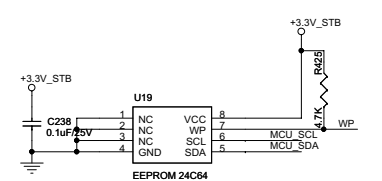
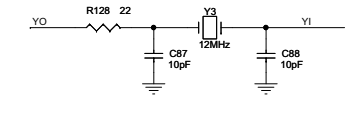
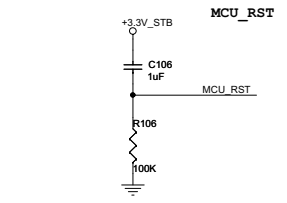
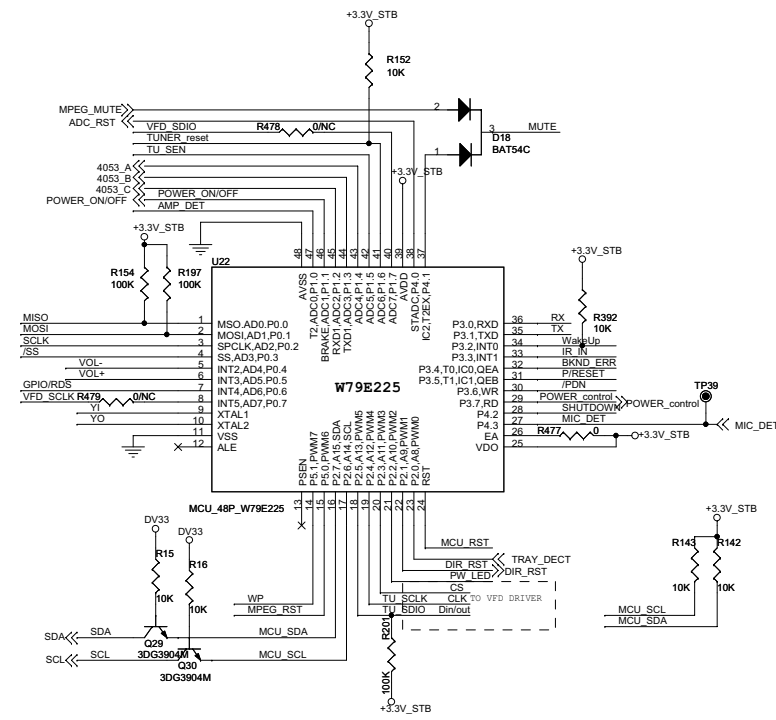
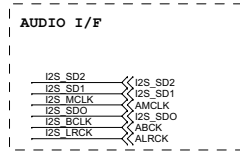
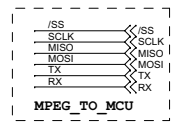
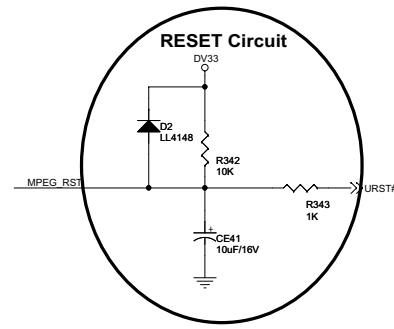
D

E

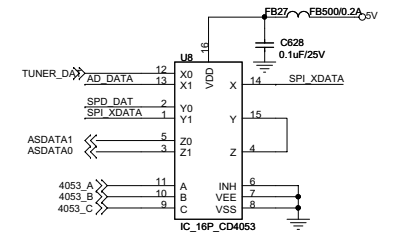
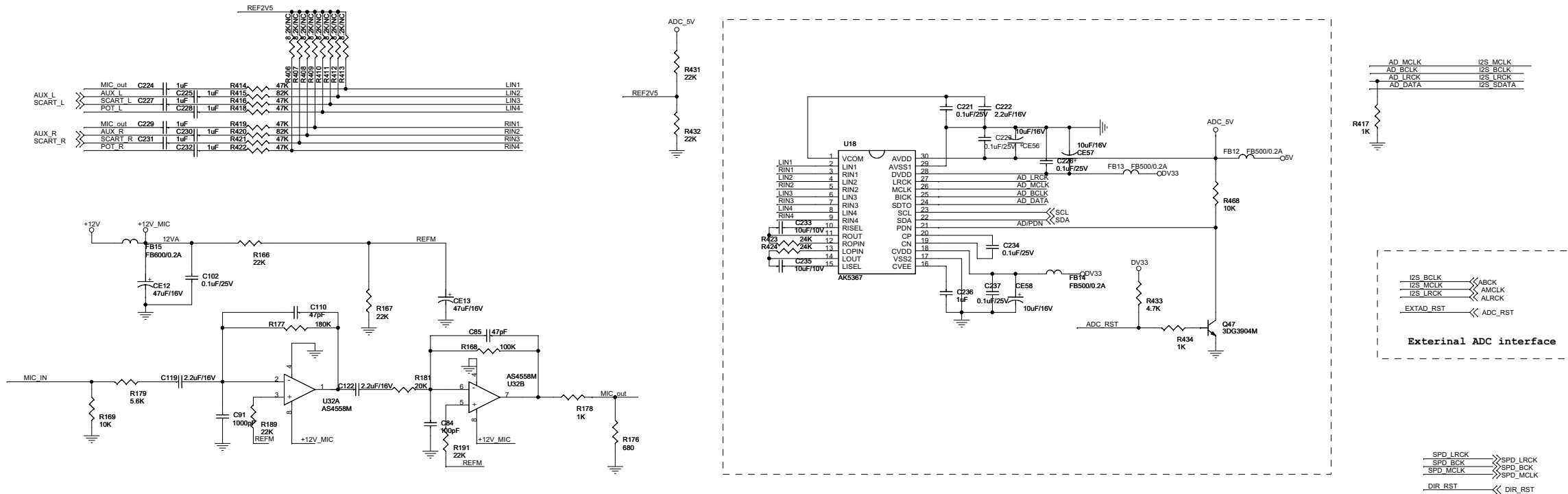
# Main Board Circuit Diagram: POWER SUPPLY



### Main Board Circuit Diagram: MCU & CONNECTOR

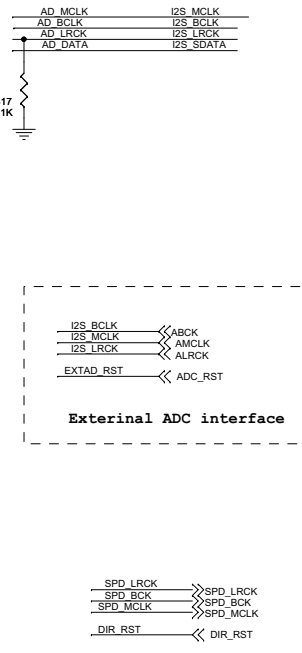
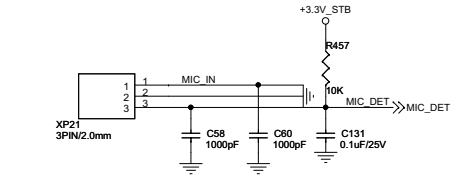
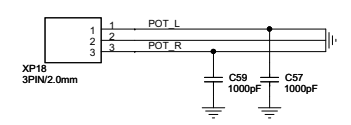
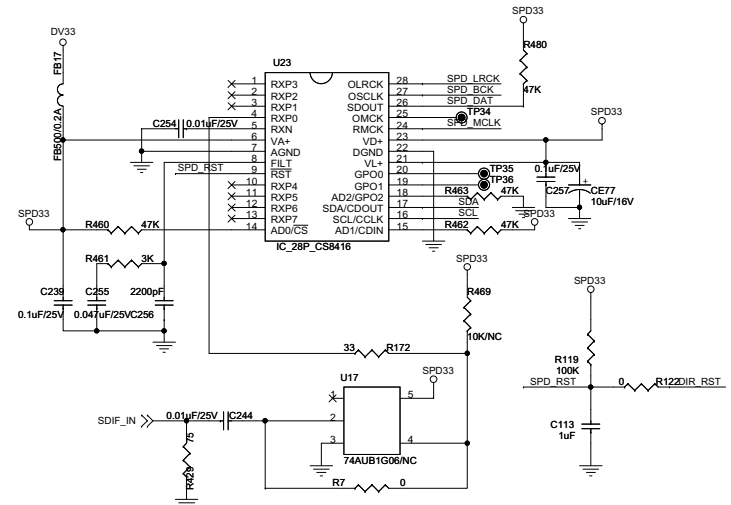


Main Board Circuit Diagram: ADC & AUDIO\_IN



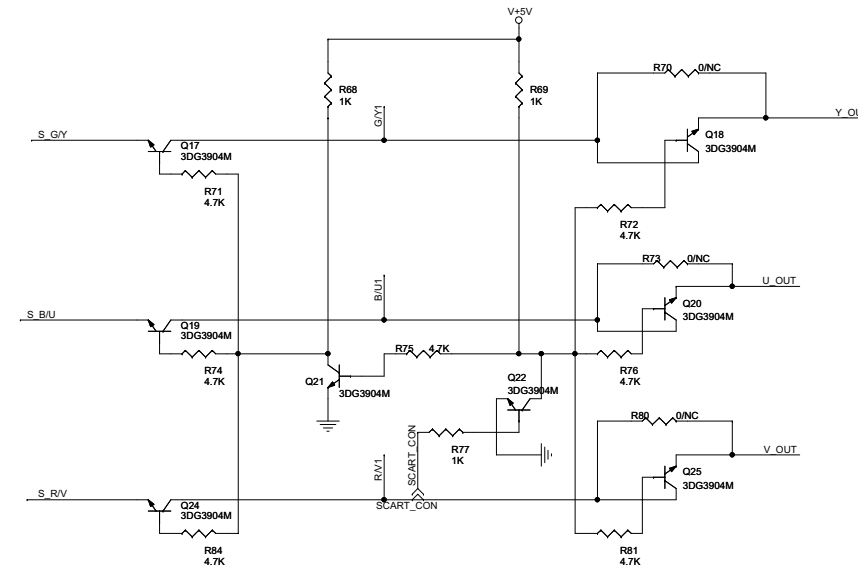
Control signal from Main Control input port		Connecting Port	
4053_C			
0		ASDATA1	
1		ASDATA0	
Control signal from Audio input port		Connecting Port	
4053_A	4053_B		
0	0		SPD_DAT
0	1		TUNER_DAT
1	0	SPD_DAT	
1	1	AD_DATA	

CD4053 logic chart

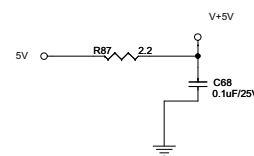




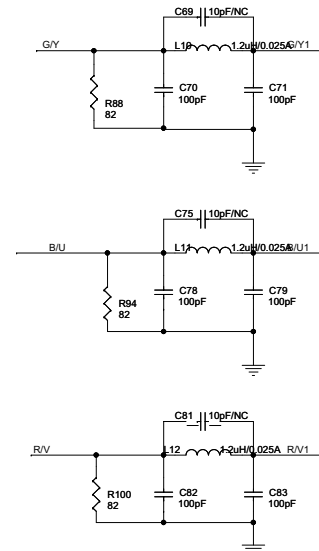
Main Board Circuit Diagram: SCART & VIDEO\_OUT



Video buffer +5V

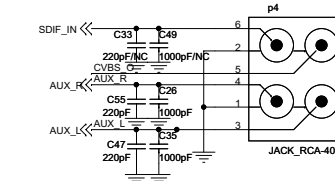
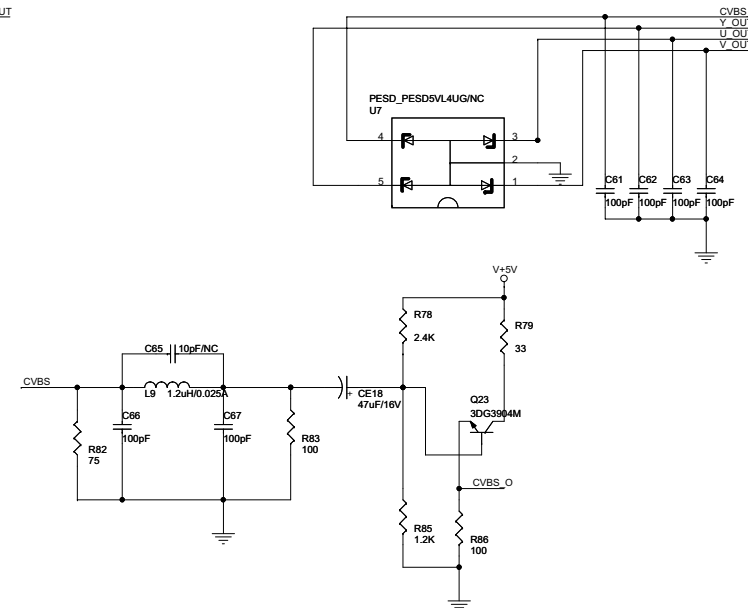


SCART_CTL	SCART
1	ON
0	OFF

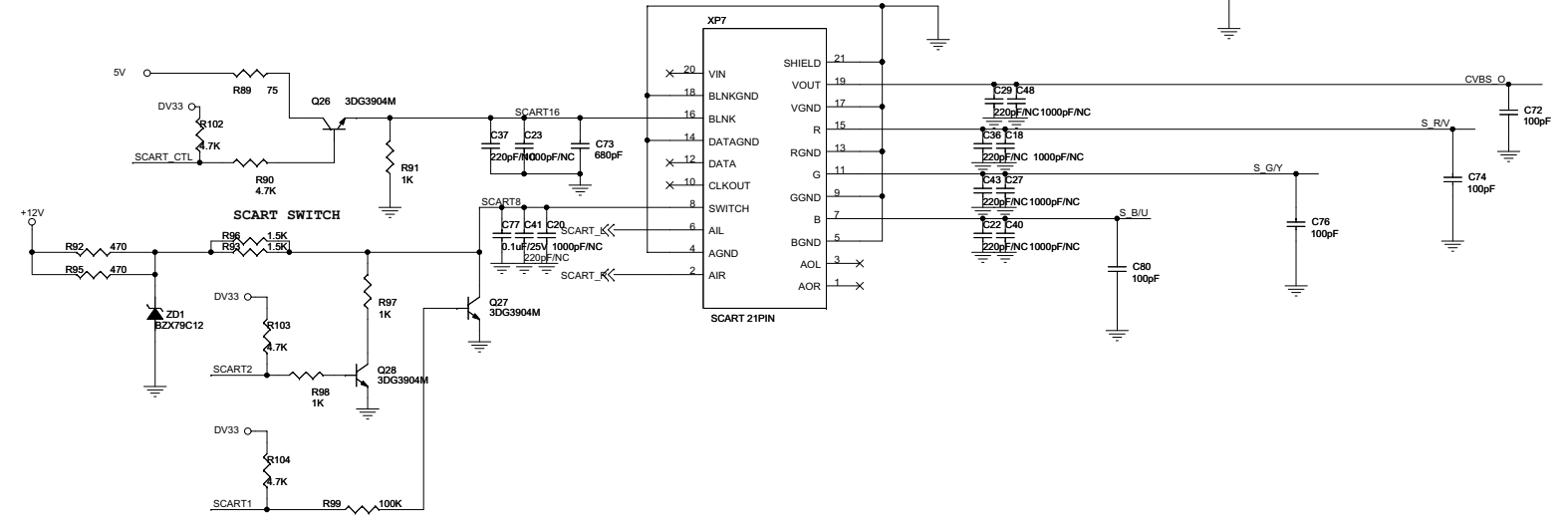
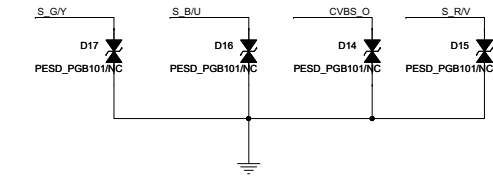
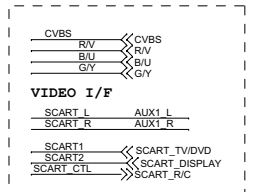
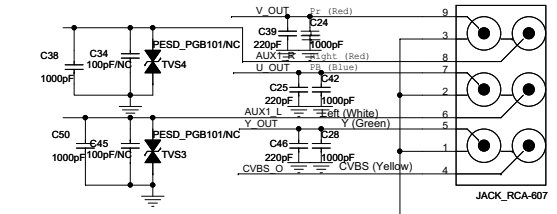


SCART_CTL	SCART16
0	CVBS OUT
1	RGB OUT

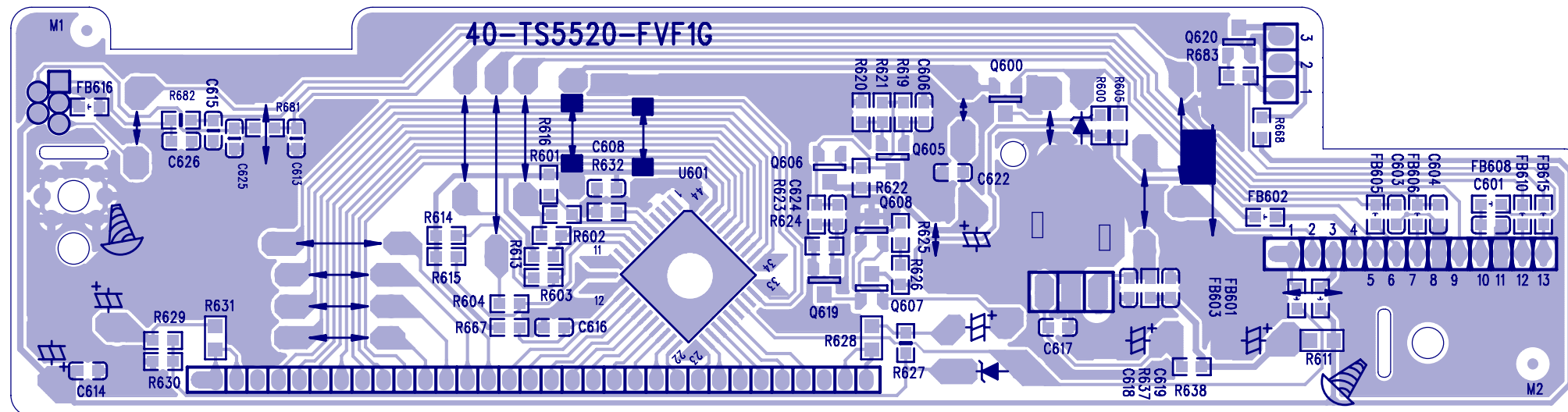
SCART1	SCART2	SCART8
1	X	0 (standby)
0	1	6V (16:9)
0	0	9.5-12V (4:3)



COMPONENT

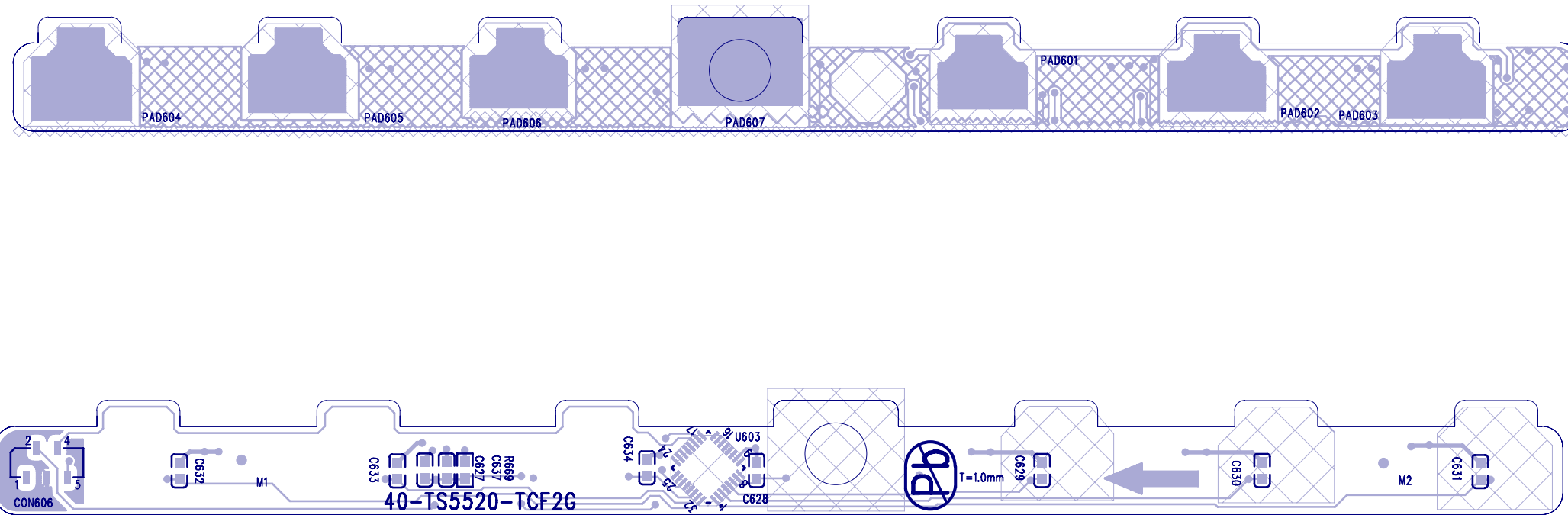


Front Control Board Print-layout (Bottom side):



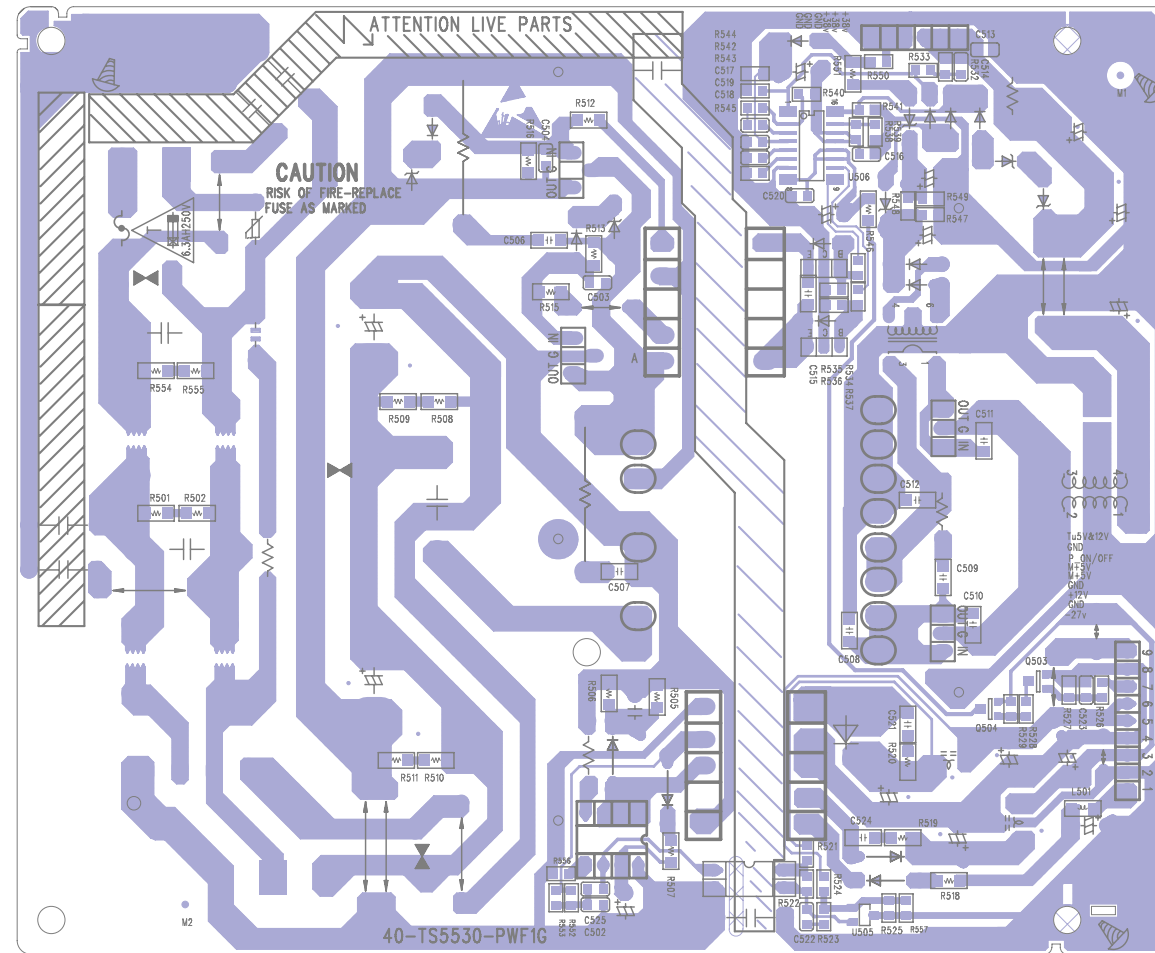


Touch Panel Board Print-layout (Top and Bottom side):



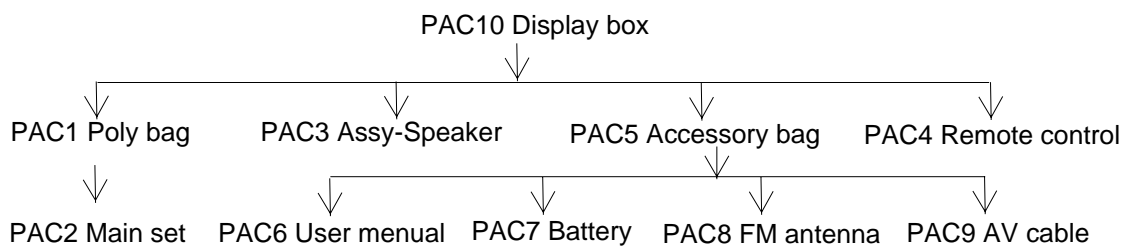
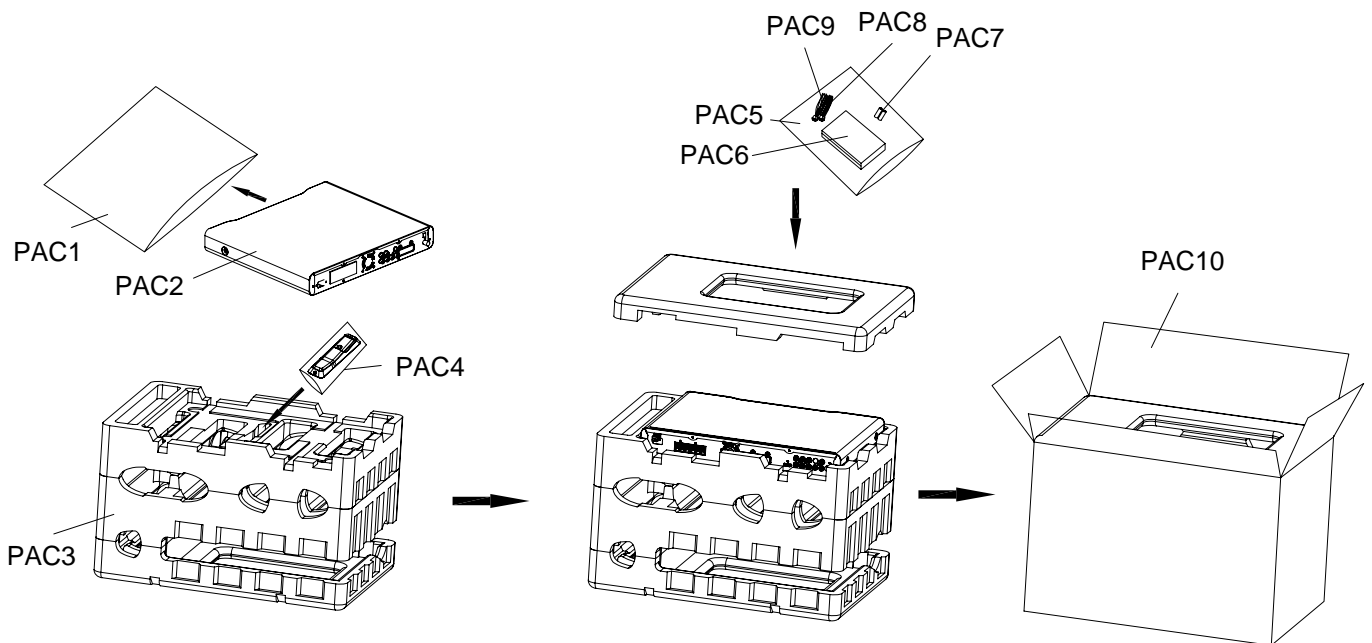


Power Board Print-layout (Bottom side):



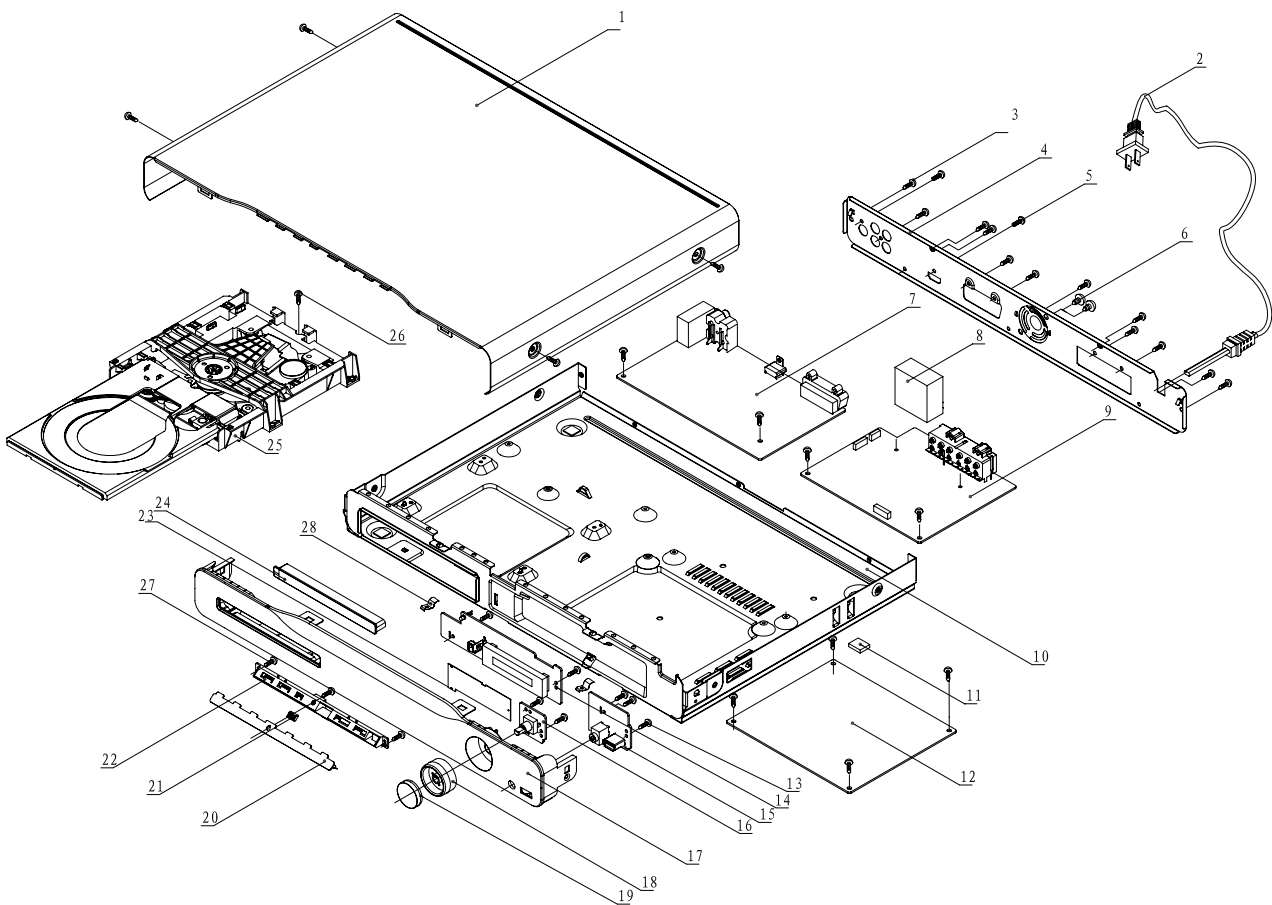


Packing view for HTS5520/93:





Exploded view for HTS5520/12:



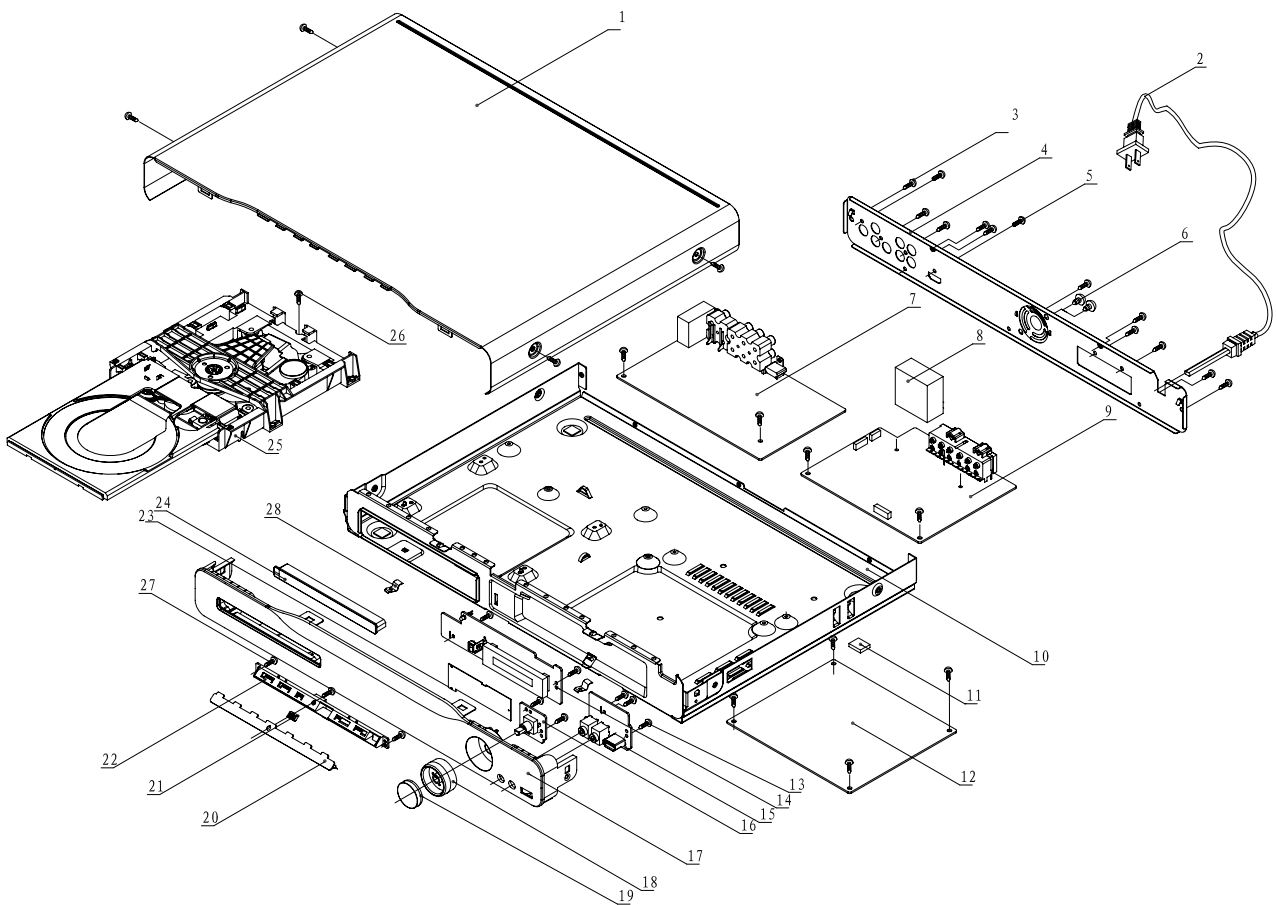
This is general mechanical exploded view for HTS5520/12, detailed pls refer to the model set.

ASSY1 includes components:17.23

ASSY2 includes components:18.19

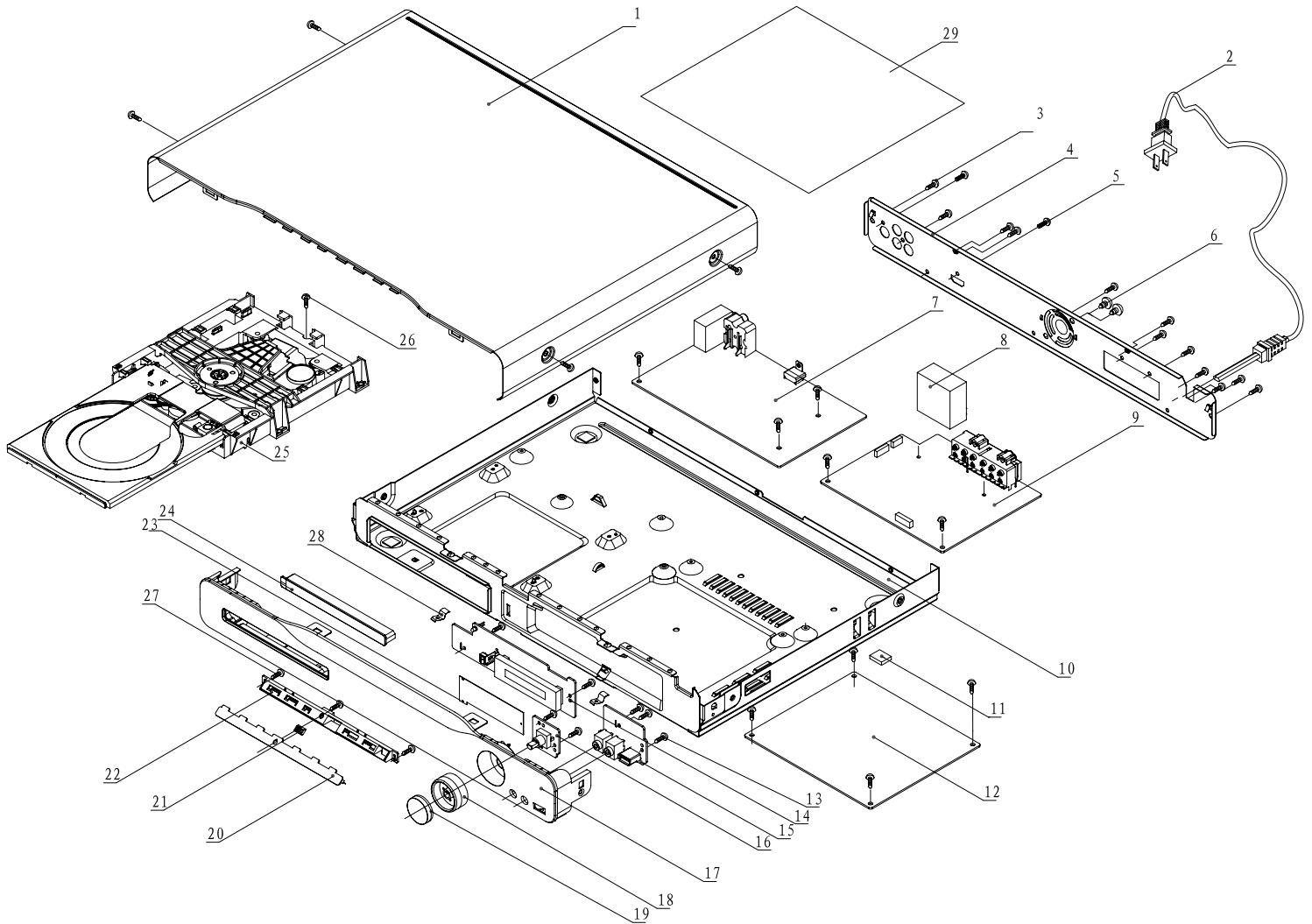
ASSY3 includes components:21.22

Exploded view for HTS5520/51/93:



This is general mechanical exploded view for HTS5520/51/93, detailed pls refer to the model set.  
 ASSY1 includes components:17.23  
 ASSY2 includes components:18.19  
 ASSY3 includes components:21.22

Exploded view for HTS5520/94:



This is general mechanical exploded view for HTS5520/94. Please refer to the model set for the detailed information.

ASSY1 includes components :17,23.

ASSY2 includes components :18,19.

ASSY3 includes components :21,22.

## REVISION LIST

Version 1.0

\* Initial release for HTS5520/12/51/93

Version 1.1

\*Adding location of PCB,Variation and Matrix.

Version 1.2

\*Change PCB BOARD print-layout .

Version 1.3

\*Adding HTS5520/94